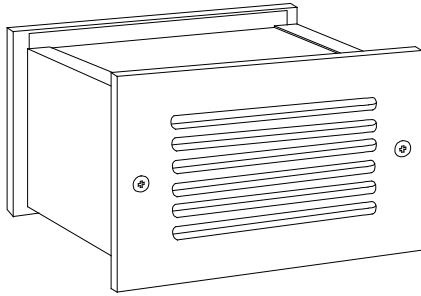
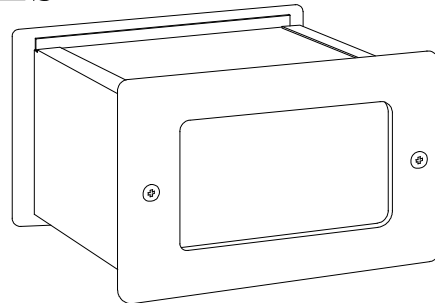


# Installation Instruction Sheet

## 157-2S SERIES



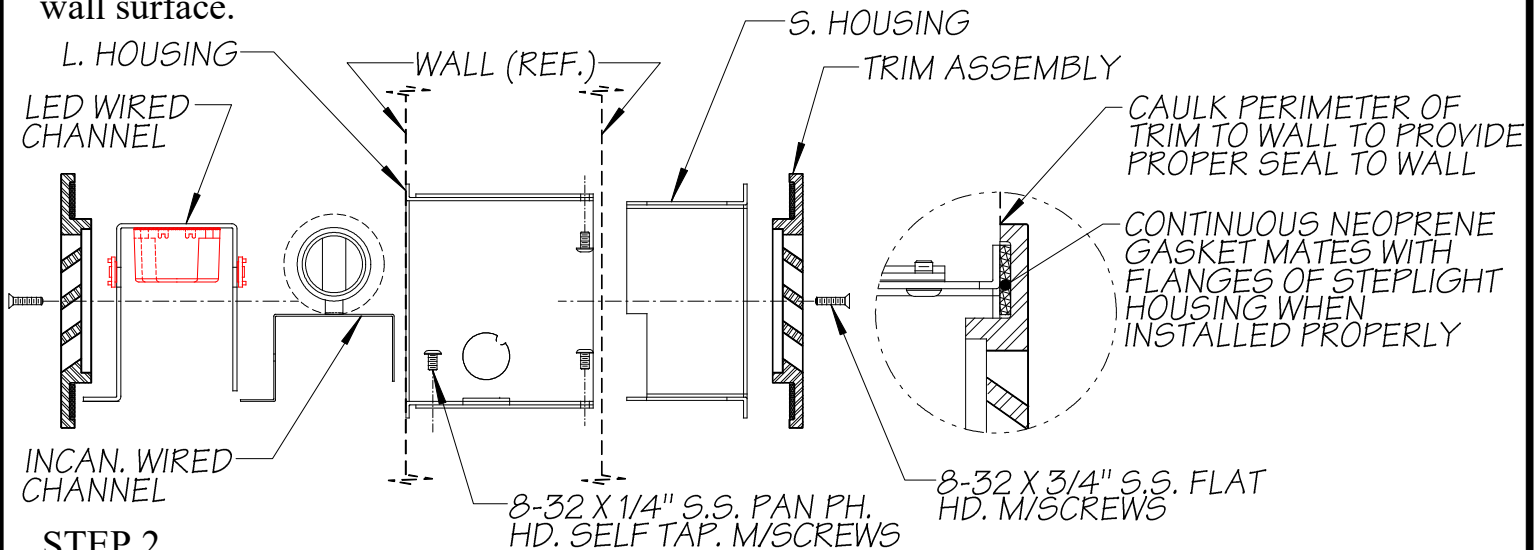
L157-2S &amp; T157-2S



L157G-2S &amp; T157G-2S

### STEP 1

Remove wired channel. Slip large housing into wall. Bring electrical power supply wires into desired conduit entrance on housing (by others). Using mounting holes on housing flanges, flanges, install 16 ga. steel housing into wall ensuring the front of housing aligns with finished wall surface.



### STEP 2

Ensure that power to unit is off. Splice supply wires with lead wires of wired channel. Replace wired channel and fasten in place. Attach smaller housing half (adjustable up to 1-1/4" for different wall thicknesses) using supplied phillips head m/screws to the larger housing in the wall and mount to wall using mounting holes on the small housing flanges. Attach finished trims on each side of the wall using factory supplied (4) 8-32 X 3/4" stainless steel flat head m/screws ensuring gaskets are in place for proper seal.

#### NOTE:

- \* THIS PRODUCT MUST BE INSTALLED IN ACCORDANCE WITH THE APPLICABLE INSTALLATION CODE BY A PERSON FAMILIAR WITH THE CONSTRUCTION AND OPERATION OF THE PRODUCT AND THE HAZARDS INVOLVED.
- \* CONTACT WITH ACID-WASH OF ANY TYPE TO ANY SURFACE OF STEPLIGHT WILL/MAY VOID WARRANTY.
- \* RECESSED HOUSING NOT SEALED FROM MOISTURE THROUGH WALL. IF NECESSARY, PROTECTION MUST BE PROVIDED TO PREVENT WATER FROM ENTERING HOUSING INSIDE OF WALL.

