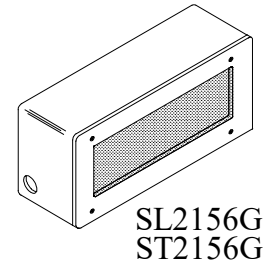
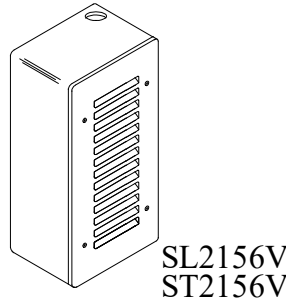
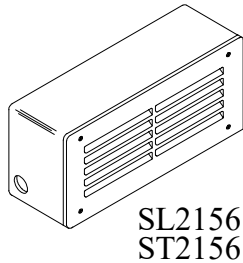


# Installation Instruction Sheet

021821R

## 2156 SERIES - SURFACE MOUNT

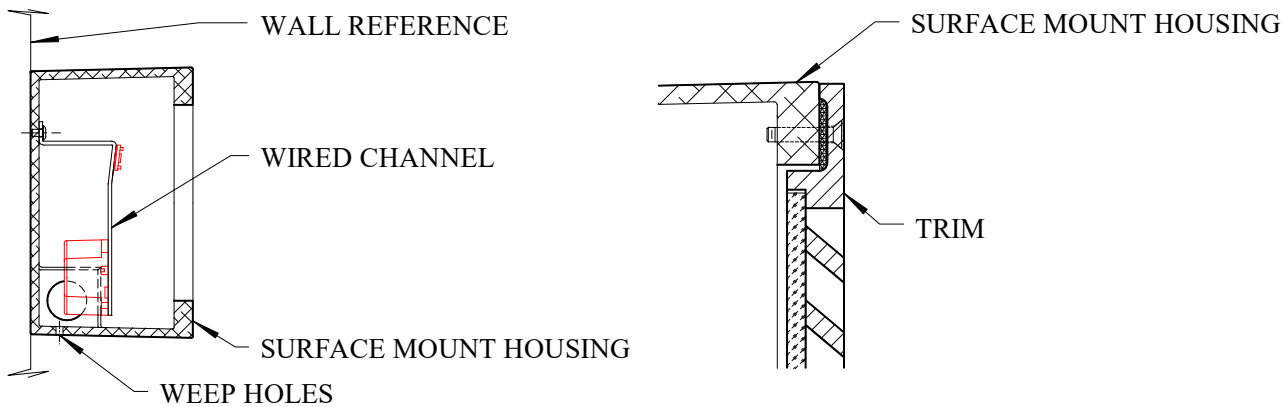


### STEP 1

Remove wired channel. Bring supply wire through liquid tight connector (by others) into desired threaded entrance. \* Drill a minimum of (2) mounting holes in top, back, or sides as required for mounting condition (by E.C.). Install aluminum housing onto wall with weep holes located at bottom of housing. For vertical mounted housing, drill (2) 3/16" weep holes at bottom of housing; then seal existing weep holes that were provided for horizontal mounting. Caulk perimeter of housing to ensure proper seal to mounting surface in wet and damp locations.

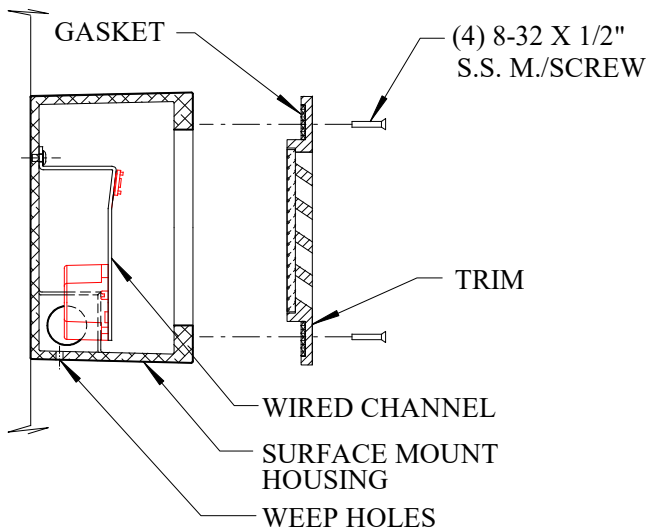
*\*Additional conduit entries may be field added behind lamp channel area.*

*(Caulk perimeter of housing to ensure proper seal to wall in wet and damp locations.)*



### STEP 2

Ensure that power to unit is off. Splice supply wires to lead wires from wired channel. Replace wired channel and fasten in place. Mount finished trim to housing using (4) 8-32 screws provided, ensuring gasket is in place for proper seal.



#### NOTE:

- \* THIS PRODUCT MUST BE INSTALLED IN ACCORDANCE WITH THE APPLICABLE INSTALLATION CODE BY A PERSON FAMILIAR WITH THE CONSTRUCTION AND OPERATION OF THE PRODUCT AND THE HAZARDS INVOLVED.
- \* CONTACT WITH ACID-WASH OF ANY TYPE TO ANY SURFACE OF STEPLIGHT WILL/MAY VOID WARRANTY.
- \* RECESSED HOUSING NOT SEALED FROM MOISTURE THROUGH WALL. IF NECESSARY, PROTECTION MUST BE PROVIDED TO PREVENT WATER FROM ENTERING HOUSING INSIDE OF WALL.