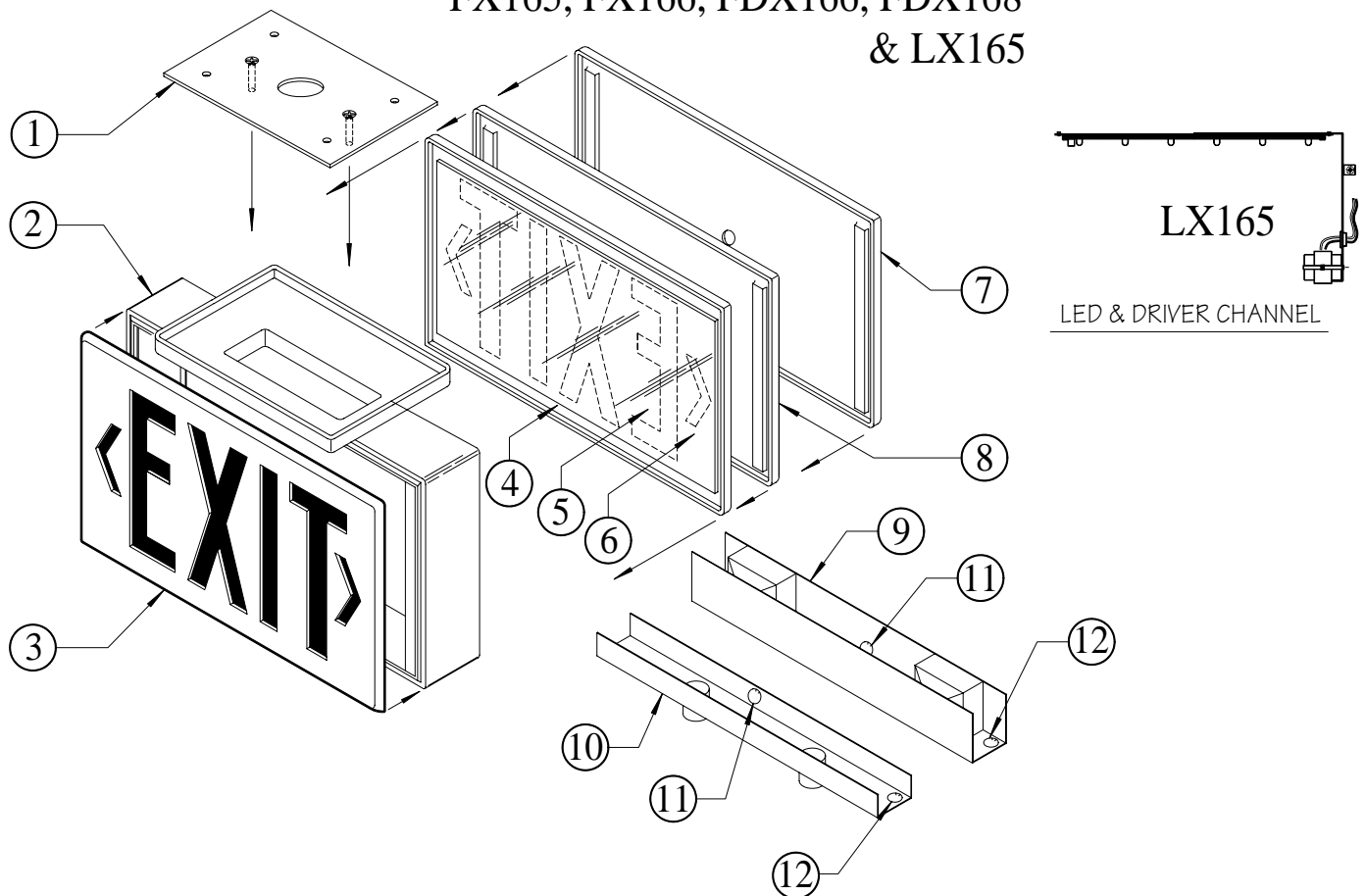


EXIT SIGN INSTRUCTIONS

CATALOG NO.: TX165, TX166, TDX166, TDX168,
FX165, FX166, FDX166, FDX168
& LX165



MOUNTING Back mounted signs are provided with back (7) attached. For bracket mounted, use clearance holes in top or end of housing (2) as required. Attach bracket (1) to housing with weld studs and hex nuts furnished.

ELECTRICAL For top mounted signs, feed wires thru top hole and install channel (9) (10) For end mounted signs, remove knockout (12) near end of channel and install bushing. Feed wires thru bushing and thru hole in end of housing. For back mounted signs, remove knockout (11) in back center of channel and install bushing. Feed wires thru bushing and thru back. Mount channel to housing with screws furnished.

COVERS Exit faces (3) are available with an arrow pointing left, an arrow pointing right, or two arrows; one to the left, and one to the right. Two panels 1/8" thk. are held in place with continuous 16 gauge steel rail (4) One panel being red or green acrylic (5) The other a clear polycarbonate shielding (6) Exit face is mechanically fastened with four tamperproof center-pin torx screws. Blank covers (8) are provided for one faced signs.

NOTE:

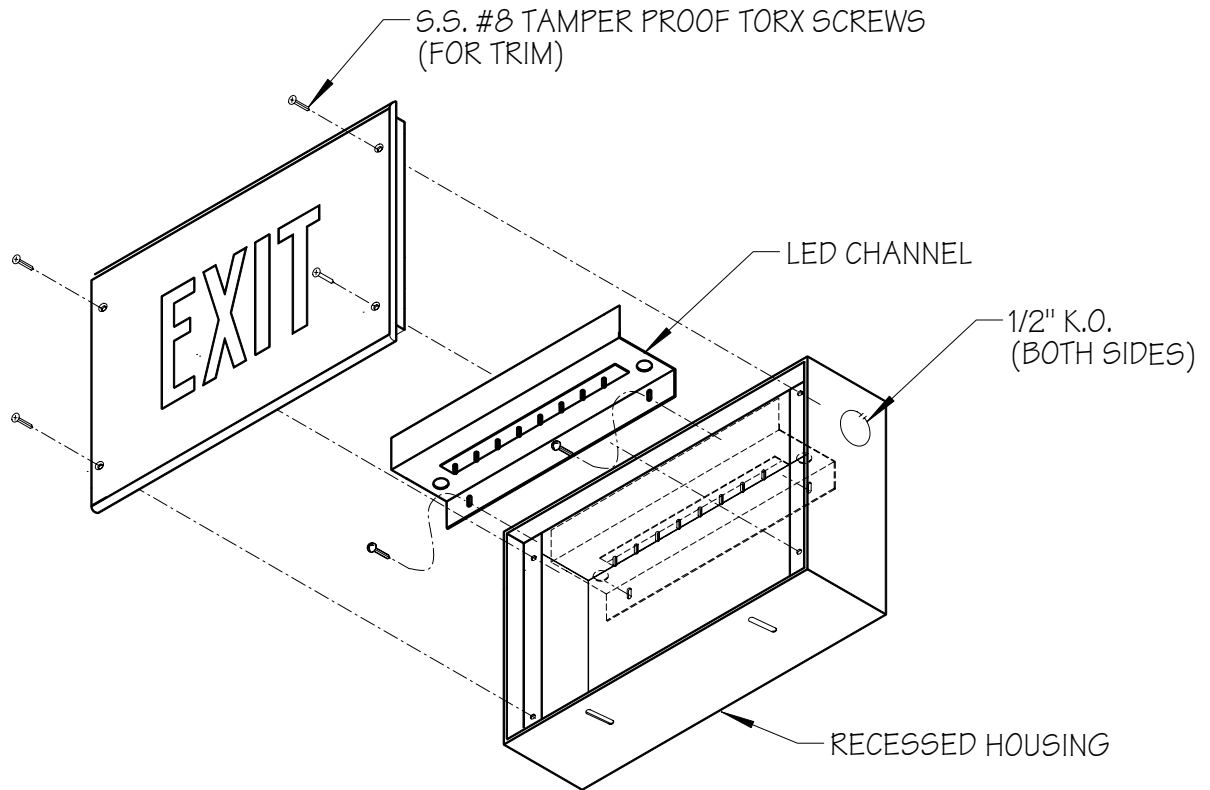
"THIS PRODUCT MUST BE INSTALLED IN ACCORDANCE WITH THE APPLICABLE INSTALLATION CODE BY A PERSON FAMILIAR WITH THE CONSTRUCTION AND OPERATION OF THE PRODUCT AND THE HAZARDS INVOLVED".

REVISIONS

11/1/04
1-23-13 E.V.

RECESSED EXIT SIGN INSTRUCTIONS

CATALOG NO.: LX167



RECESSED MOUNTING INSTALLATION: (VIEW LOOKING UP)

- Step 1. Turn off electrical power supplied to fixture.
- Step 2. Use #8 screws to place housing in recess area.
Attach conduit power feed to housing.
- Step 4. Make wire connections.
- Step 5. Attach LED channel to back of housing.
- Step 6. Re-attach exit trim to housing using factory supplied 8-32 stainless steel tamperproof torx head machine screws.

NOTE:

"THIS PRODUCT MUST BE INSTALLED IN ACCORDANCE WITH THE APPLICABLE INSTALLATION CODE BY A PERSON FAMILIAR WITH THE CONSTRUCTION AND OPERATION OF THE PRODUCT AND THE HAZARDS INVOLVED".

REVISIONS

1-23-13 E.V.