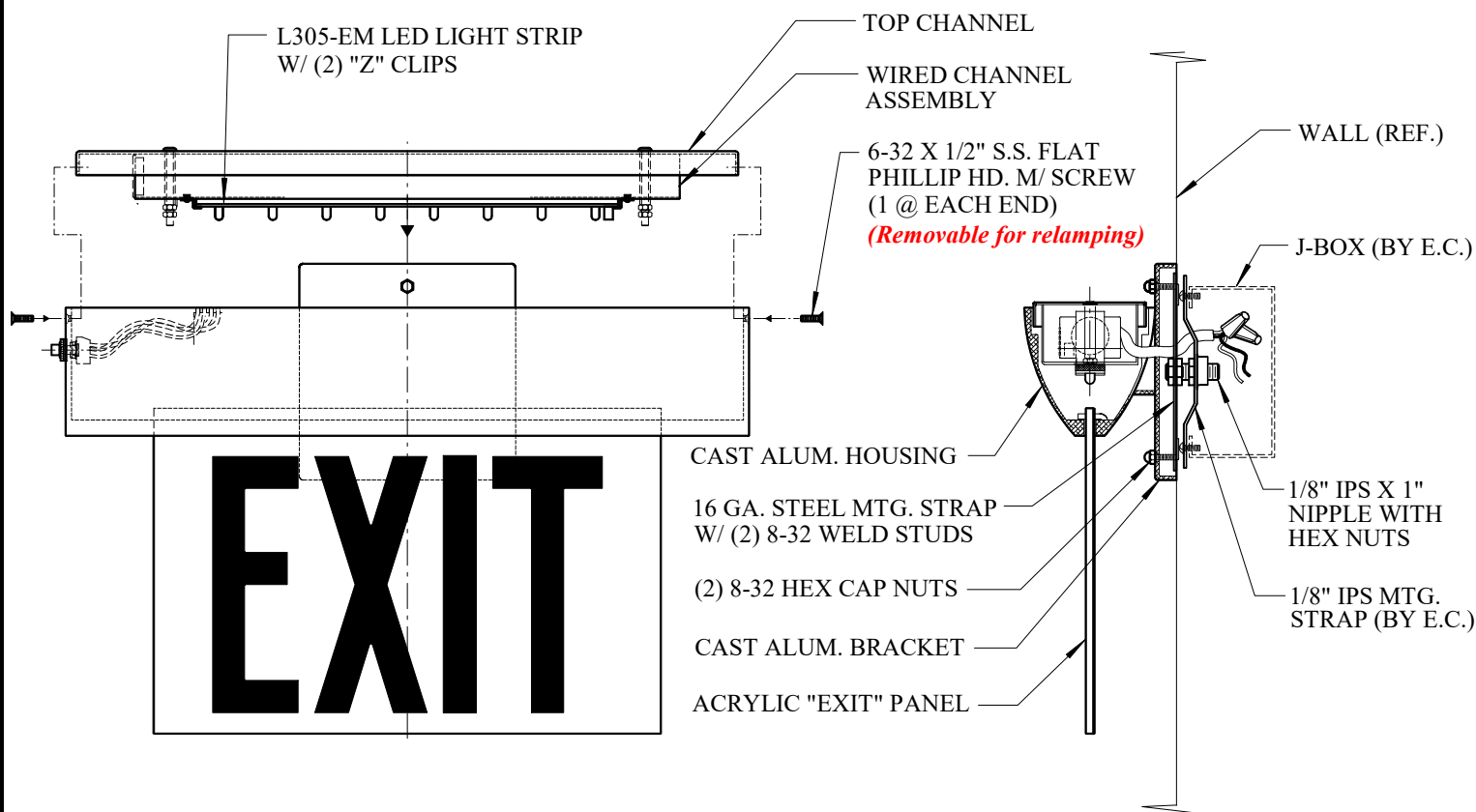


Installation Instruction Sheet

072022R

KWRL-612



INSTRUCTION STEPS:

- Step 1. Turn off electrical power supplied to fixture
- Step 2. Mount supplied steel mounting strap assembly to J-Box using 1/8" IPS nipple
- Step 3. Make electrical wire connections inside J-Box (By E.C.)
- Step 4. Attach fixture assembly to mounting strap using (2) hex cap nuts
- Step 5. Detach fixture top channel assembly
- Step 6. Insert proper lamps into sockets
- Step 7. Re-attach fixture top channel assembly using (2) 6-32 flat head screws to secure top channel in place
- Step 8. Turn on electrical power to fixture

NOTE:

"THIS PRODUCT MUST BE INSTALLED IN ACCORDANCE WITH THE APPLICABLE INSTALLATION CODE BY A PERSON FAMILIAR WITH THE CONSTRUCTION AND OPERATION OF THE PRODUCT AND THE HAZARDS INVOLVED".