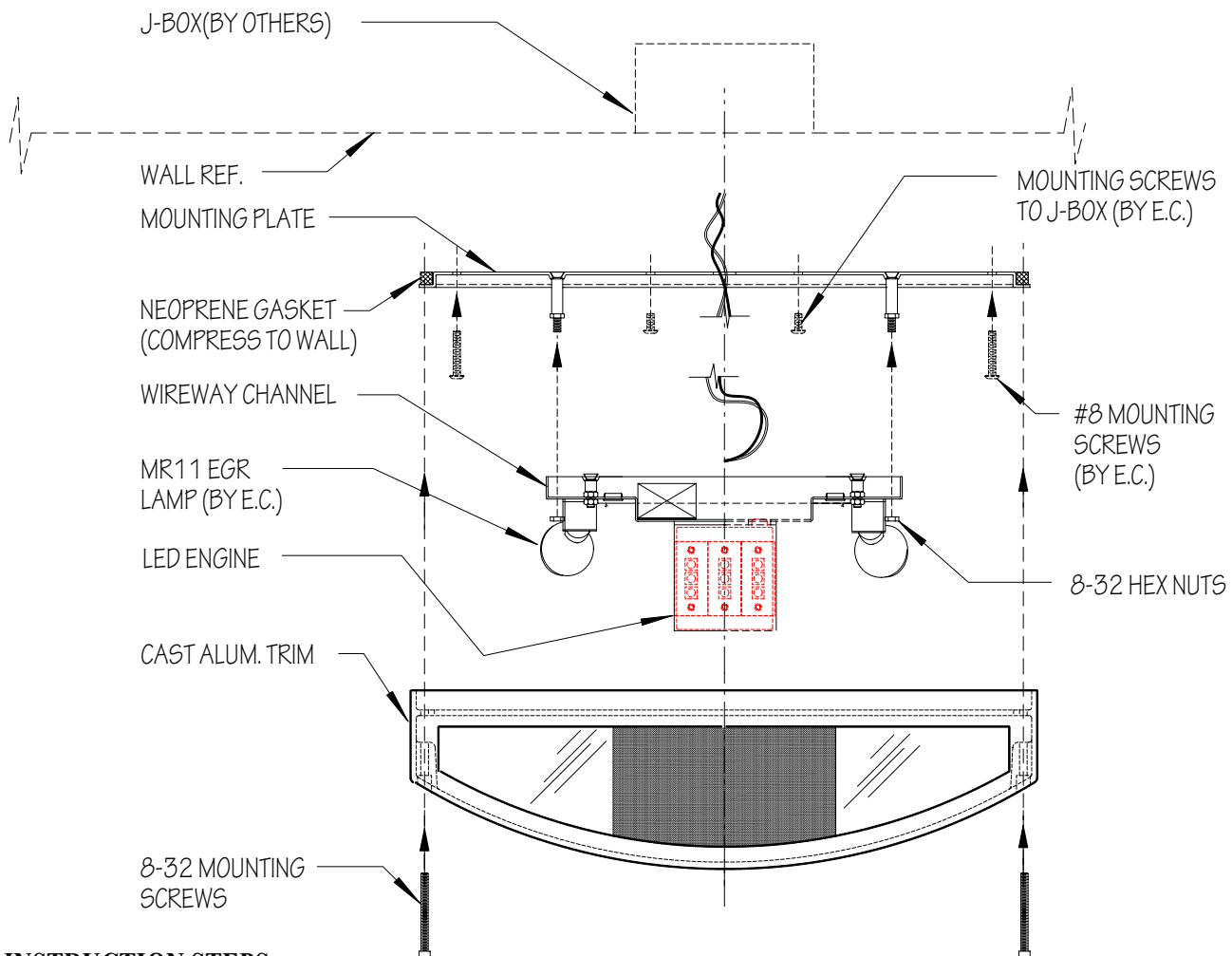


# INSTALLATION INSTRUCTION SHEET

## L2500 LED (EGR) SERIES FANNYPACK



### INSTRUCTION STEPS:

- 1) FASTEN MOUNTING PLATE TO WALL.
- 2) CAULK PERIMETER OF MOUNTING PLATE FOR WATER TIGHT SEAL.
- 3) MAKE ELECTRICAL WIRE CONNECTION TO FIXTURE LED CIRCUIT AND EGR CIRCUIT AND FASTEN WIREWAY CHANNEL TO MOUNTING PLATE.
- 4) INSERT MR11 LAMP INTO SOCKET. (LAMP BY E.C.)
- 5) ATTACH TRIM OVER FIXTURE AND FASTEN IN PLACE WITH (4) 8-32 MOUNTING SCREWS.
- 6) CAULK PERIMETER OF TRIM TO WALL TO PROVIDE PROPER SEAL TO WALL.

### **NOTE:**

- \* THIS PRODUCT MUST BE INSTALLED IN ACCORDANCE WITH THE APPLICABLE INSTALLATION CODE BY A PERSON FAMILIAR WITH THE CONSTRUCTION AND OPERATION OF THE PRODUCT AND THE HAZARDS INVOLVED.
- \* CONTACT WITH ACID-WASH OF ANY TYPE TO ANY SURFACE OF STEPLIGHT WILL/MAY VOID WARRANTY.
- \* RECESSED HOUSING NOT SEALED FROM MOISTURE. PROTECTION MUST BE PROVIDED TO PREVENT WATER FROM ENTERING HOUSING.