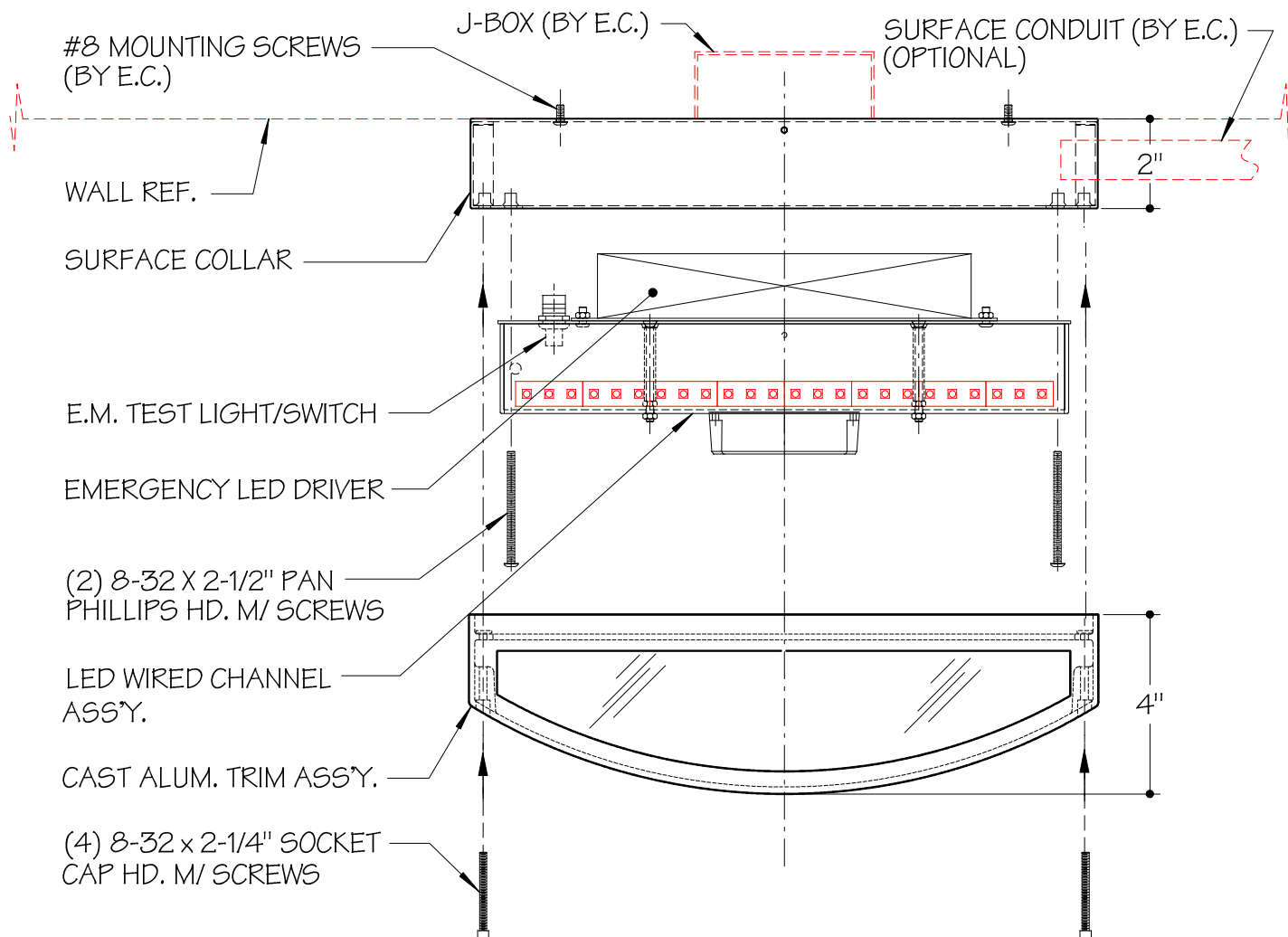


# INSTALLATION INSTRUCTION SHEET

## L2500/L2600-SC-EM SERIES FANNYPACK (SURFACE COLLAR)



### INSTRUCTION STEPS:

- 1) INSTALL SURFACE COLLAR (HOUSING) TO WALL (MOUNTING SCREWS BY E.C.).
- 2) CAULK PERIMETER OF SURFACE COLLAR (HOUSING) FOR WATER TIGHT SEAL.
- 3) ADD CONDUIT HOLES IN SIDES OF COLLAR IF USING SURFACE CONDUIT ELECTRICAL FEED (LIQUIT TIGHT CONNECTORS REQUIRED).
- 4) BRING ELECTRICAL FEED WIRE TO SURFACE COLLAR.
- 5) MAKE ELECTRICAL WIRE CONNECTION TO FIXTURE AND FASTEN LED WIRED CHANNEL ASSEMBLY TO SURFACE MOUNTING COLLAR.
- 6) ATTACH CAST TRIM ASSEMBLY OVER FIXTURE AND FASTEN IN PLACE WITH (4) 8-32 SOCKET CAP HD. SCREWS PROVIDED.

### NOTE:

- \* THIS PRODUCT MUST BE INSTALLED IN ACCORDANCE WITH THE APPLICABLE INSTALLATION CODE BY A PERSON FAMILIAR WITH THE CONSTRUCTION AND OPERATION OF THE PRODUCT AND THE HAZARDS INVOLVED.
- \* CONTACT WITH ACID-WASH OF ANY TYPE TO ANY SURFACE OF STEPLIGHT WILL/MAY VOID WARRANTY.
- \* RECESSED HOUSING NOT SEALED FROM MOISTURE THROUGH WALL. IF NECESSARY, PROTECTION MUST BE PROVIDED TO PREVENT WATER FROM ENTERING HOUSING INSIDE OF WALL.