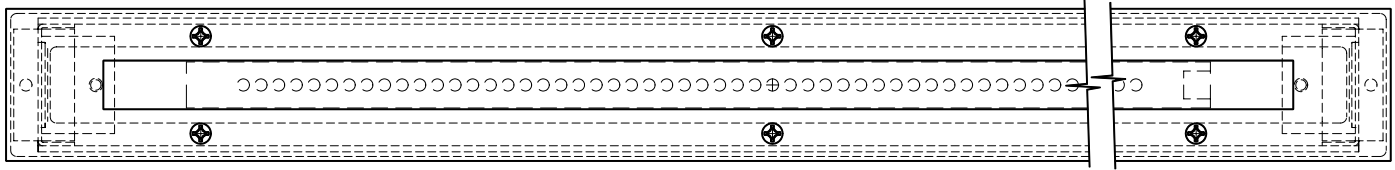


# Installation Instruction Sheet

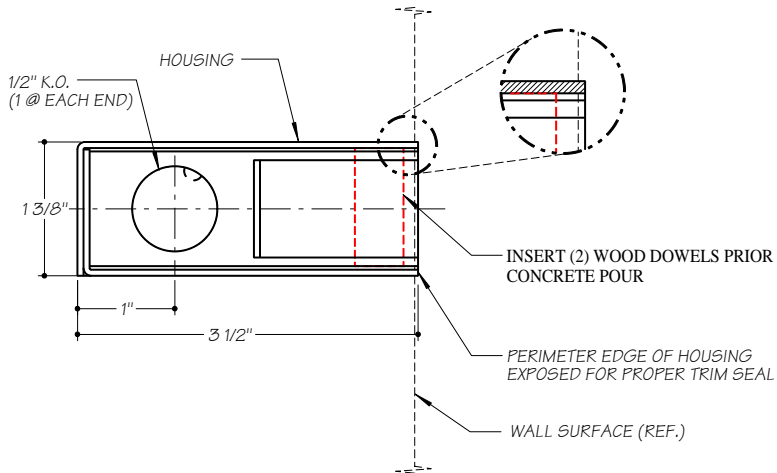
## Catalog No.: L500 Series



Housing Width:  
 L503W = 6-3/32"  
 L506W = 9-3/32"  
 L509W = 12-3/32"  
 L512W = 15-3/32"

### FRONT VIEW

Trim Dimension:  
 L503W = 1-9/16" x 6-3/4"  
 L506W = 1-9/16" x 9-3/4"  
 L509W = 1-9/16" x 12-3/4"  
 L512W = 1-9/16" x 15-3/4"



### STEP 1

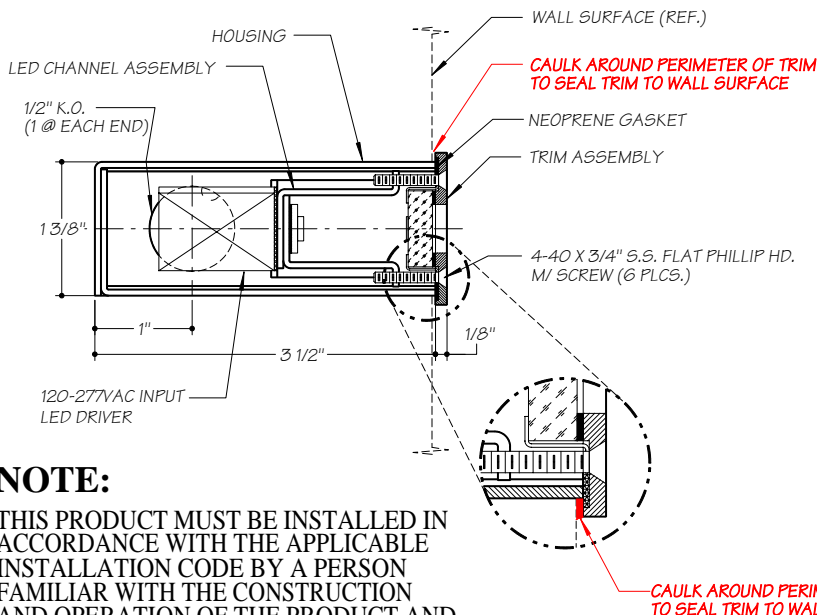
Bring supply wire through desired entrance. Using mounting holes of housing flange, install 16 ga. housing (suitable for concrete pour) into wall ensuring that perimeter edge of housing is exposed for proper trim seal. Remove (2) wood dowels inside of housing after concrete pour.

### STEP 2

Ensure that power to unit is off. Splice supply wires with lead wires of wired channel. Replace wire channel and fasten in place. Mount finished trim to housing using (6) factory supplied stainless steel 4-40 x 3/4" flat head, phillip m./ screws. Trim gasket must engage perimeter edge of housing at opening.

**Caulk around perimeter of trim to seal trim to wall surface**

**NOTE:**  
**CAULK AROUND PERIMETER OF TRIM TO SEAL TRIM TO WALL SURFACE**



### NOTE:

\* THIS PRODUCT MUST BE INSTALLED IN ACCORDANCE WITH THE APPLICABLE INSTALLATION CODE BY A PERSON FAMILIAR WITH THE CONSTRUCTION AND OPERATION OF THE PRODUCT AND THE HAZARDS INVOLVED.

\* CONTACT WITH ACID-WASH OF ANY TYPE TO ANY SURFACE OF STEPLIGHT WILL/MAY VOID WARRANTY.

\* RECESSED HOUSING NOT SEALED FROM MOISTURE. PROTECTION MUST BE PROVIDED TO PREVENT WATER FROM ENTERING HOUSING.

**COLE**  
*Lighting*