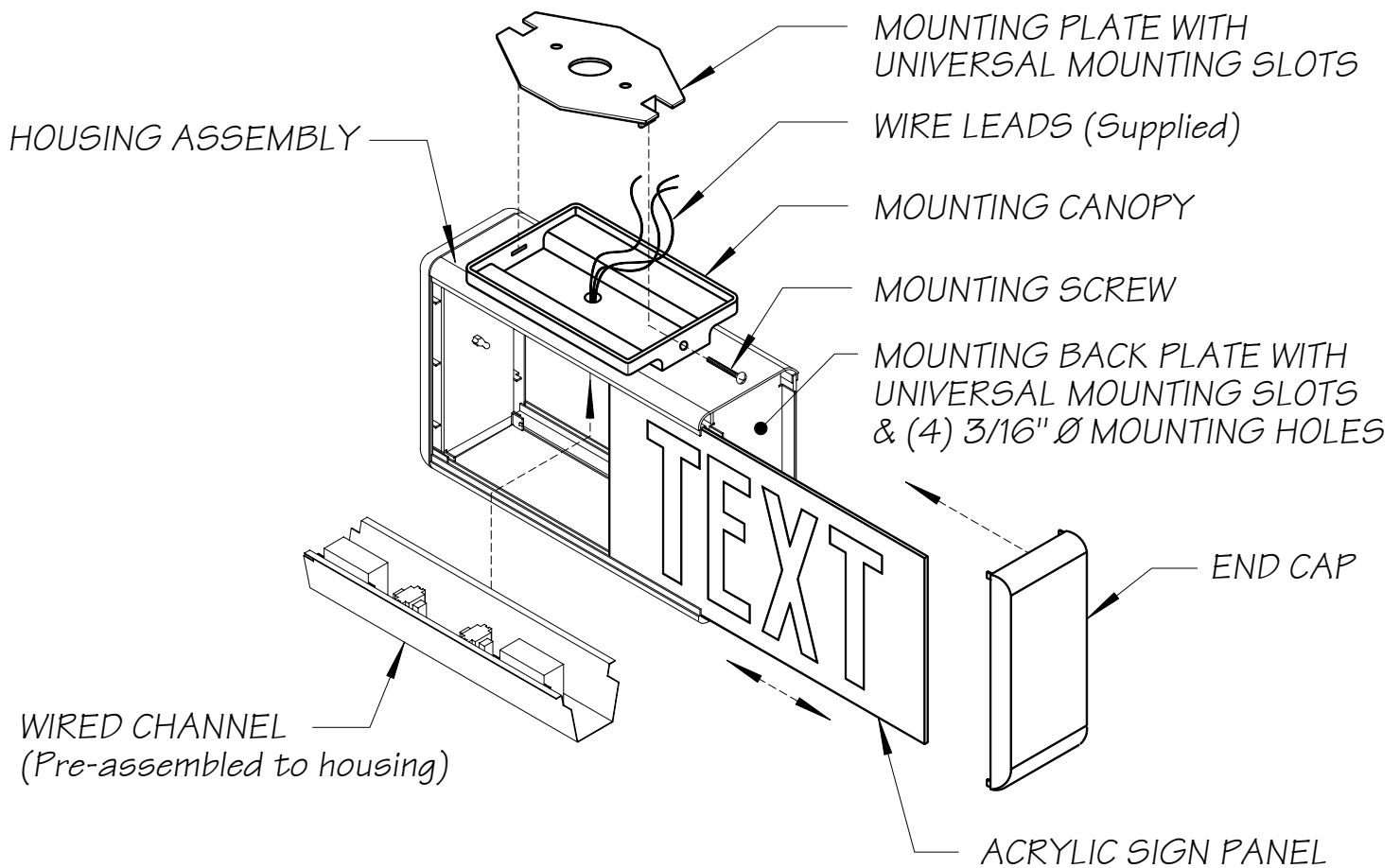


# INSTALLATION INSTRUCTIONS

CATALOG NOS.: S130 SERIES



## **END, CEILING AND BACK MOUNT INSTALLATION:**

- Step 1. Turn off electrical power supplied to fixture.
- Step 2. Attach universal mounting plate (For end & ceiling mount fixture) or back mounting plate (For back mount fixture) to junction box.
- Step 3. Use (4) #8 mounting screws to secure the fixture mtg. back plate to the wall (For back mount fixture).
- Step 4. Make wire connections.
- Step 5. Attach housing canopy to mounting plate using supplied mounting screw to secure fixture in place (For end & ceiling mount fixture).
- Step 6. Pull out the end cap and the acrylic sign panel.
- Step 7. Install the proper lamps in lampholders.
- Step 8. Reinsert the acrylic sign panel into the housing groove.
- Step 9. Snap the end cap to the fixture.

### **NOTE:**

"THIS PRODUCT MUST BE INSTALLED IN ACCORDANCE WITH THE APPLICABLE INSTALLATION CODE BY A PERSON FAMILIAR WITH THE CONSTRUCTION AND OPERATION OF THE PRODUCT AND THE HAZARDS INVOLVED".

### REVISIONS

2/3/04

Rev. 9-26-05, By T. Phan