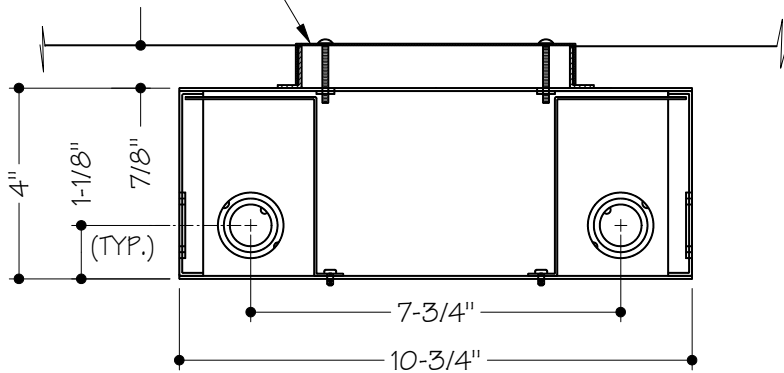


INSTALLATION INSTRUCTION SHEET

MODEL TLS-330

THROW-AWAY COVER



STEP 1

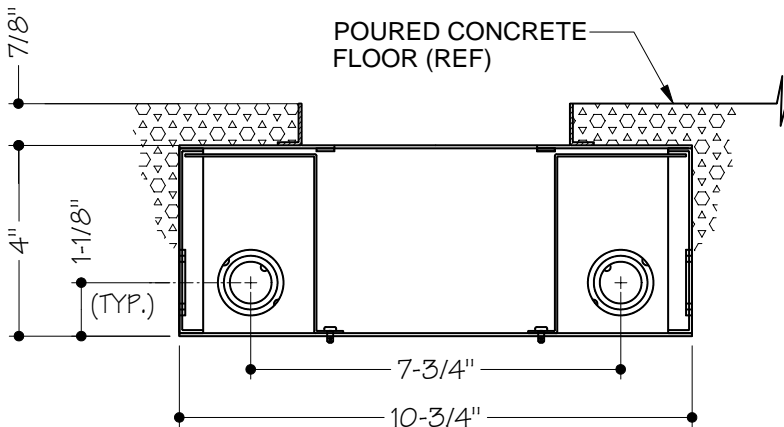
SET FLOOR BOX HOUSING IN POSITION FOR CONCRETE POUR.

REMOVE THROW-AWAY COVER TO GAIN ACCESS TO RECEPTACLE PLATE, REMOVE RECEPTACLE PLATE, RUN FEED WIRES AND CONNECT CONDUIT.

REINSTALL THROW-AWAY COVER, LEVEL WITH FINISH CONCRETE SURFACE.

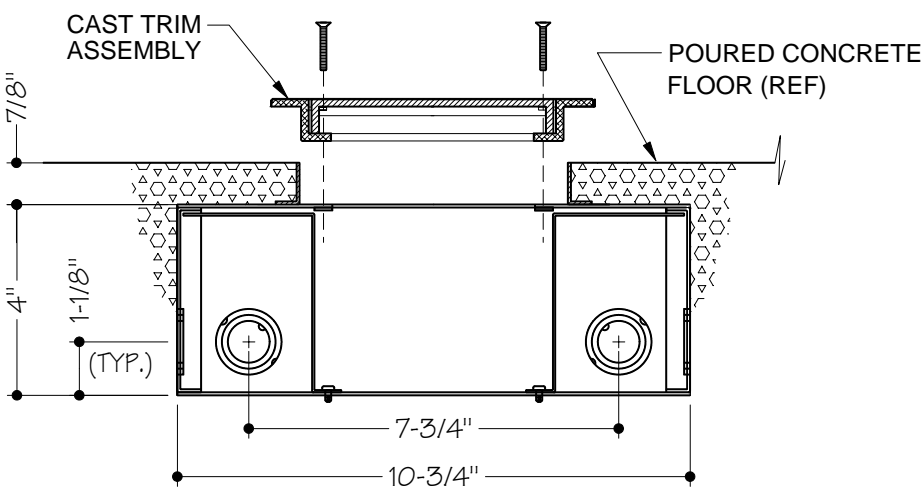
SIDES OF THROW-AWAY COVER SHOULD BE TREATED FOR EASY REMOVAL AFTER CONCRETE HAS HARDENED.

POUR CONCRETE.



STEP 2

WHEN CONCRETE IS FULLY SET, REMOVE AND DISCARD THROW-AWAY COVER, (4) 8-32 TRUSS HEAD MACHINE SCREWS.



STEP 3

INSERT CAST TRIM ASSEMBLY INTO HOUSING, THEN INSTALL (4) 8-32 x 1" FLAT HD. MACHINE SCREWS TO SECURE IT IN PLACE.

NOTE:

* THIS PRODUCT MUST BE INSTALLED IN ACCORDANCE WITH THE APPLICABLE INSTALLATION CODE BY A PERSON FAMILIAR WITH THE CONSTRUCTION AND OPERATION OF THE PRODUCT AND THE HAZARDS INVOLVED.

* CONTACT WITH ACID-WASH OF ANY TYPE TO ANY SURFACE OF STEPLIGHT WILL/MAY VOID WARRANTY.

* RECESSED HOUSING NOT SEALED FROM MOISTURE. PROTECTION MUST BE PROVIDED TO PREVENT WATER FROM ENTERING HOUSING.

REVISIONS

11-20-03

1-25-13 E.V.