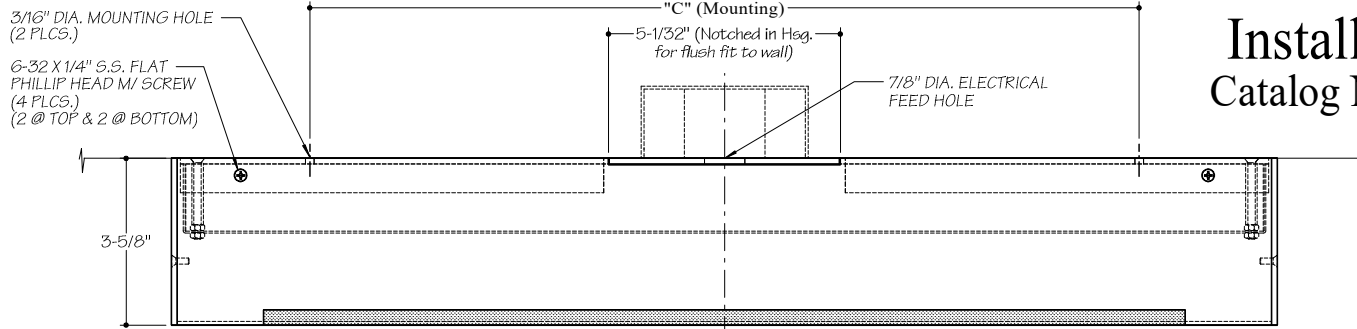


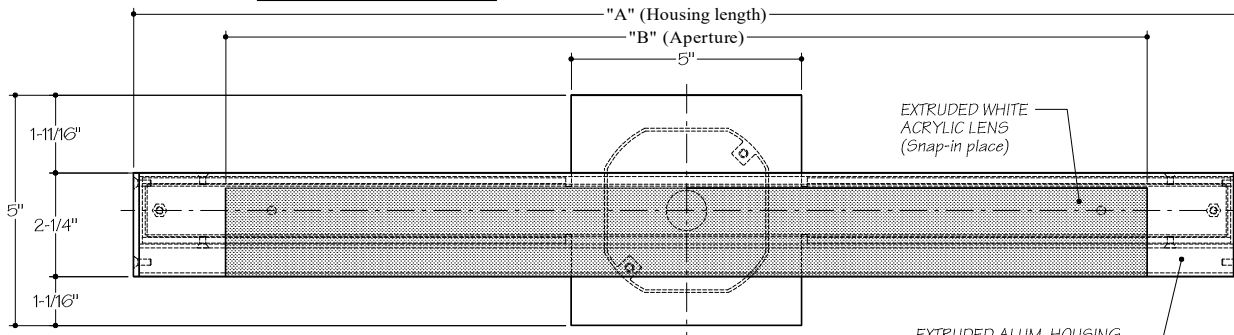
Installation Instruction Sheet

Catalog No.: ML18, ML24, ML36 Series

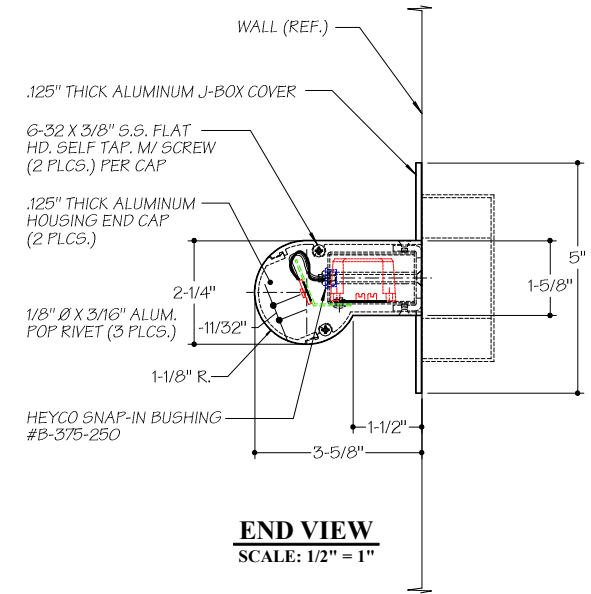


CAT. No.	A	B	C
ML18	18"	14"	12"
ML24	24"	20"	18"
ML36	36"	32"	30"

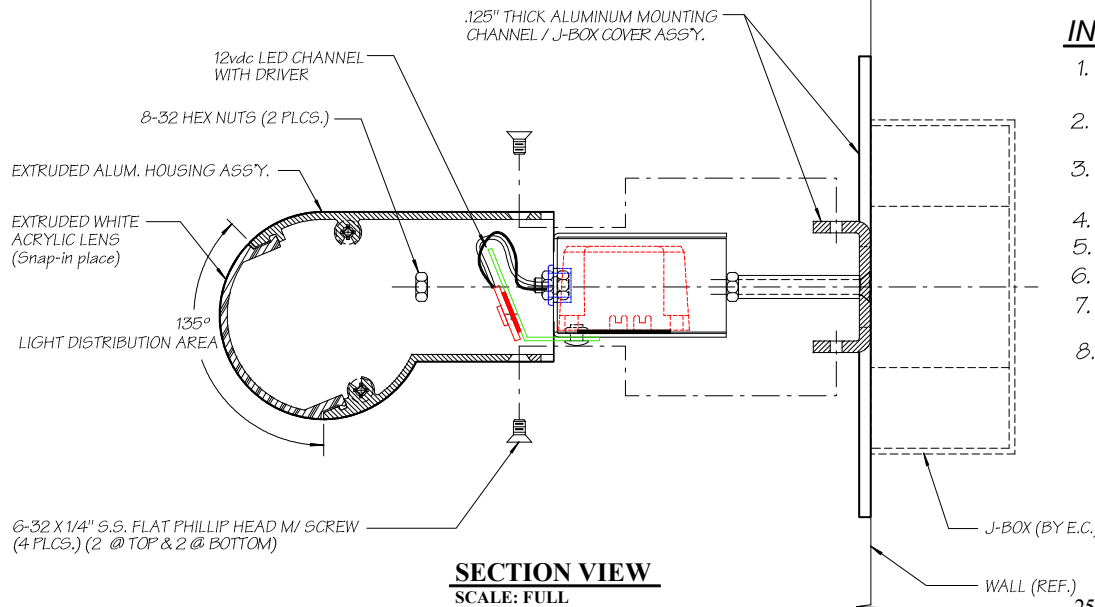
TOP VIEW
SCALE: 1/2" = 1"



FRONT VIEW
SCALE: 1/2" = 1"



END VIEW
SCALE: 1/2" = 1"



SECTION VIEW
SCALE: FULL

INSTRUCTION STEPS:

1. Turn off all power to the fixture prior to installation
2. Detach extruded alum. housing ass'y. & LED channel ass'y. from pre-assembled fixture
3. Bring supply wire from junction box through 7/8" dia. hole at back of mounting channel/j-box cover ass'y.
4. Secure mounting channel/j-box cover ass'y. to wall using #8 screws (By E.C.)
5. Make electrical wire connections
6. Re-attach LED channel ass'y. using supplied 8-32 hex nuts
7. Re-attach extruded alum. housing ass'y. using supplied (4) 6-32 x 1/4" flat phillip head m/ screws
8. Turn on power to fixture

NOTE:

"THIS PRODUCT MUST BE INSTALLED IN ACCORDANCE WITH THE APPLICABLE INSTALLATION CODE BY A PERSON FAMILIAR WITH THE CONSTRUCTION AND OPERATION OF THE PRODUCT AND THE HAZARDS INVOLVED".

COLE
Lighting