

Steplites

Series	LED	Color LED	HO/LED Glass	Opal Glass	Dimming	Exterior	Interior	Feed-Thru	Other Options
LX2153 LX2153D	•	•	•	•	•	•	•	•	Faceplate colors Junction box

LX2153 SERIES LX2153D SERIES DIRECTIONAL

Description

This series of Steplites are ultra high performance site fixtures for large areas. Their large aperture allows high light levels to the sides as well as in front of the fixture for many exterior locations. Alternate faceplate designs available, providing unique performance characteristics. The rugged construction, engineering excellence and quality make these fixtures ideal for specification in most public areas.

Features

Louvers in the LX2153 Series are more widely spaced than most fixtures of this type, allowing for significantly greater forward projected illumination. The lens in the directional LX2153D faceplate is vertically ribbed to provide side spread of illumination with LED orientation providing a downward throw of light. The angle of the lens minimizes the visibility of the lamp and reduces brightness. Exceptional durability is provided by the thick cast aluminum faceplate and the tempered glass diffuser. Cole Steplites feature a cast aluminum junction box which may be easily field mounted to either the back or bottom of the housing to best suit installation conditions.

Applications

LED steplites are suitable for any wall construction. Steplites are suitable for concrete pour/block wall mounting in outdoor installations. They are ideal in walls, ramps, and stairwells where high light levels are desirable.

Custom

If your project demands a special fixture we would be pleased to discuss the production of custom fixtures to suit your specific conditions. For more information on our custom capabilities, please contact your local Cole representative.



LX2153DW — *Directional*



LX2153DW-VHO — *Ultra High Performance*



LX2153W-WHT-J — *Optional White faceplate*



LX2153GW-OPL-J — *Optional Opal Glass*

The LX2153 Series Steplites are available with cast aluminum louver or non-louvered faceplates.



A variety of LED models may be specified for this series.



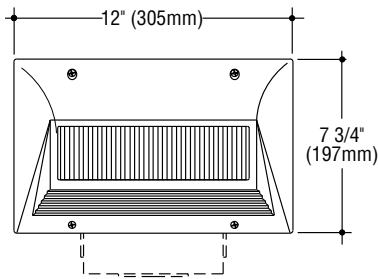
The optional junction box on Cole Steplites may be field mounted to the back or bottom of the fixture.



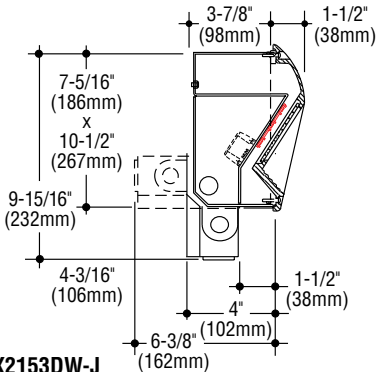
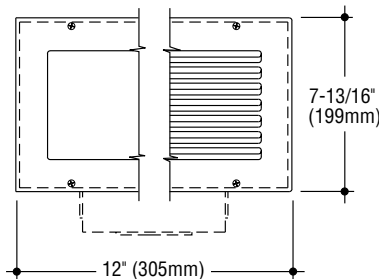
C.W. Cole & Company, Inc.
2560 Rosemead Boulevard
South El Monte, CA 91733-1593

Tel. (626) 443-2473
Fax (626) 443-9253
info@colelighting.com
www.colelighting.com

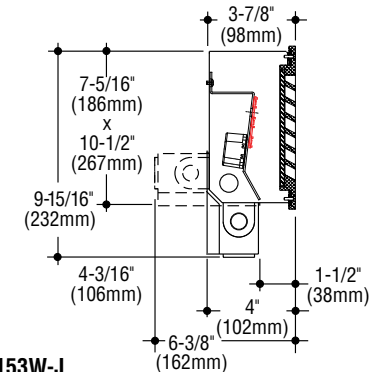
Directional faceplate



Non-Louvered or Louvered faceplate



LX2153DW-J



LX2153W-J

Steplites

LX2153 SERIES LX2153D SERIES DIRECTIONAL

SPECIFICATIONS

Construction

- Fixture housing is constructed from die-formed 16 gauge electro-galvanized steel finished with a white polyester coating
- Faceplate is cast aluminum with metallic aluminum polyester coating, gasketed and retained by stainless steel screws
- Diffuser in 2153 is frosted tempered glass; the lens in 2153D is ribbed tempered glass. Both are set in silicone sealant
- Junction box is cast aluminum with polyester coating
- cETLus listed, suitable for wet locations
- Models are suitable for any wall construction including concrete pour/block wall construction.

Electrical

- Fixture is available in varying types and wattages. Drivers are universal voltage
- Housing provided with 1/2" conduit knockout on each side, suitable for 4 wire thru-wiring, 2 in 2 out
- Junction box allows 8 wire thru-wiring, 4 in 4 out. Provided with two 1/2" tapped conduit entrances in the bottom and one 1/2" conduit tapped knockouts on side of housing.

Mounting

Housing has flanges with holes for mounting.

Catalog Numbers Lamps	Faceplate		
	Directional	Louver	Non-Louver
LED 18W, (2440 lm @ 3000°K)	LX2153DW	LX2153W	LX2153GW
LED 26W, (3400 lm @ 3000°K)	LX2153DW-HO	LX2153W-HO	LX2153GW-HO
LED 37W, (4740 lm @ 3000°K)	LX2153DW-VHO	LX2153W-VHO	LX2153GW-VHO

Lumens shown are source.
Photometric data available upon request

Options

Cast Bronze faceplate: Satin finished, clear coated. Add suffix **-B**.

Tamperproof screws: Socket head faceplate screws. Add suffix **-TP**.

Alternate faceplate color: Black or white. Add suffix **-BLK** or **-WHT**.

Opal glass diffuser: Tempered (Not available on directional models). Add suffix **-OPL**.

Voltage: 277V driver, Universal Voltage. Add suffix **-277**

Junction box: Bottom or back mounted as required for feed-thru. Add suffix **-J**.

Dimming: Universal Voltage, 0-10V driver. Add suffix **-DIM**

Emergency battery (4 Watt): Provides up to 90 minutes operation. Add suffix **-EM**.

LED colors: 4000°K (2460 lm), -HO (3485 lm), -VHO (4858 lm). Add suffix **-4K**.

How to Specify

1. Select catalog number with desired features.
2. Add suffixes for options required to meet job conditions.



C.W. Cole & Company, Inc.
2560 Rosemead Boulevard
South El Monte, CA 91733-1593

Tel. (626) 443-2473
Fax (626) 443-9253
info@colelighting.com
www.colelighting.com