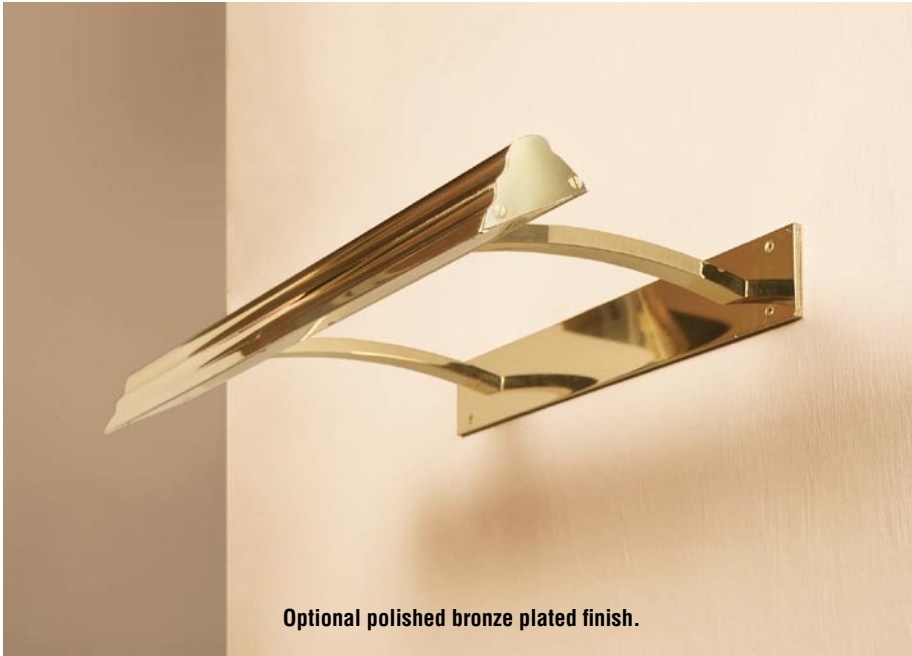


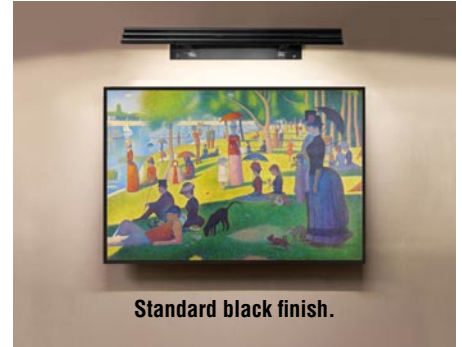
Picture Light

PL SERIES

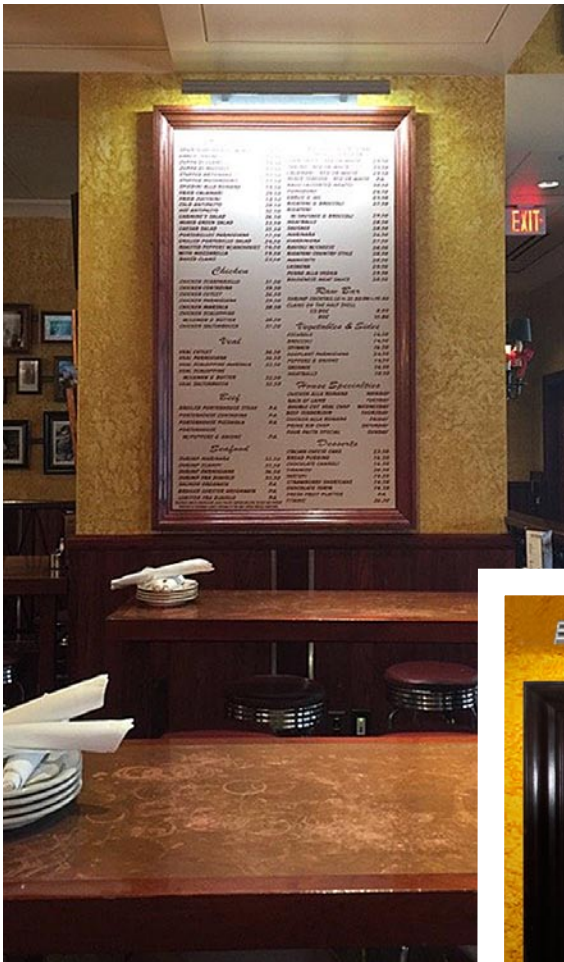
The PL Series is an exceptional solution for a stylish, high quality Picture Light. Its extruded aluminum construction allows variable lengths and finishes. Customized mounting arms can be designed and specified for use in lieu of our elegant, standard curved arms



Optional polished bronze plated finish.



Standard black finish.



Menu illumination at Carmine's Italian Restaurant - Washington, DC.



Carmine's Italian Restaurant - Botticelli Room



C.W. Cole & Company, Inc.
2560 Rosemead Boulevard
South El Monte, CA 91733-1593

Tel. (626) 443-2473
Fax (626) 443-9253
info@colelighting.com
www.colelighting.com

Picture Light

PL SERIES

SPECIFICATIONS

Construction

- Fixture housing is extruded aluminum, with lengths as required
- Standard finish is black, polyester coated. Optional finishes include, white, metallic silver, RAL colors, as well as plated selections including nickel, brass and bronze
- Diffuser is frosted acrylic, flush-fitting within housing aperture
- Fixture mounting arms are welded onto a flush, continuous wall canopy spanning the mounting arms
- cETLus listed for installation in damp locations.

Electrical

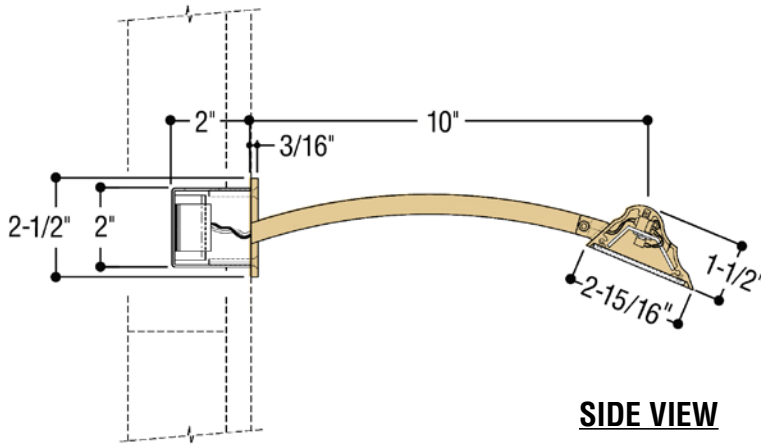
- Standard output LEDs are available in a variety of color temperatures
- Integral universal voltage driver is standard
- Drivers are located in a recessed housing located behind the left end of the wall canopy
- Integral phase dimming driver is standard; optional 0-10V dimming driver is available.

Mounting

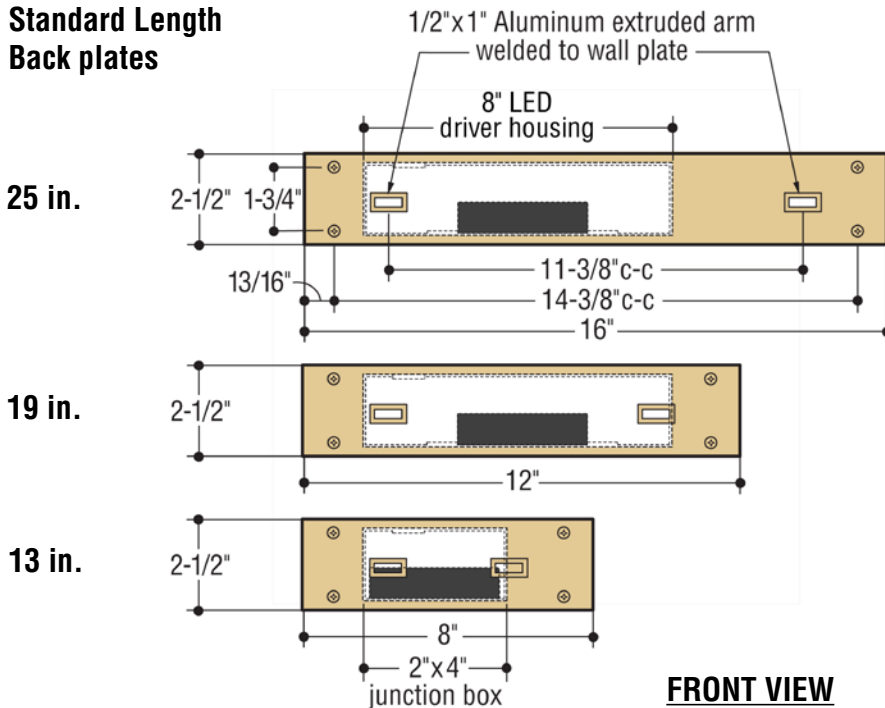
- Brackets mount with two screws (not included)
- Left bracket to be mounted over conduit flush with wall, unless otherwise specified

How to Specify

1. Select catalog number and add length required.
2. Add suffixes for options required to meet job conditions.



Standard Length Back plates



Catalog Numbers	Standard lengths			
	13"(330mm)	19"(483mm)	25"(635mm)	Custom length
LED 6.0W, (503 lm,@ 3000°K) per foot.	PL13 (503 lm)	PL19 (755 lm)	PL25 (1006 lm)	PL- (Housing length)

Indicated lumens are source.

Options

Alternate Arms Length:

Add suffix **-ARM**/(specify arm length). 10" arm length is standard.

LED color:

4000°K (584 lm) per foot. Add suffix **-4K**
2700°K (482 lm) per foot. Add suffix **-27K**

Dimming: 0-10V driver. Phase dimming is standard. Add suffix **-DIM/0-10**

Switch: Integral rocker switch mounted on wall plate. Add suffix **-SW**.

Alternate Finishes:

Metallic Silver, polyester coated. Add suffix **-ALU**.

White, polyester coated. Add suffix **-WHT**.

Brushed nickel, plated. Add suffix **-BN**.

Polished chrome, plated. Add suffix **-PC**.

Polished bronze, plated. Add suffix **-PB**.

Satin Bronze, plated. Add suffix **-SB**.

Antique Bronze, plated. Add suffix **-AB**.

Custom RAL color. Specify color. Add suffix **-CC**

COLE
Lighting

C.W. Cole & Company, Inc.
2560 Rosemead Boulevard
South El Monte, CA 91733-1593

Tel. (626) 443-2473

Fax (626) 443-9253

info@colelighting.com

www.colelighting.com