

JOB NAME _____

TYPE _____

CATALOG NUMBER _____

Plugging Box

TL210-WCS SERIES

SPECIFICATIONS

Construction

Recessed housings are die-formed 16 gauge, electro-galvanized steel, coated in white polyester and suitable for installation in concrete pour

- Pedestal housings are constructed from 1/8" die-formed aluminum coated in metallic aluminum polyester. Pedestal baseplates are 1/4" aluminum
- Gasketed doors and frames are cast aluminum with two integral cord-slots, stainless steel piano hinges, and locking or non-locking latches
- Receptacle mounting plates and voltage barriers are .080" aluminum.

Electrical

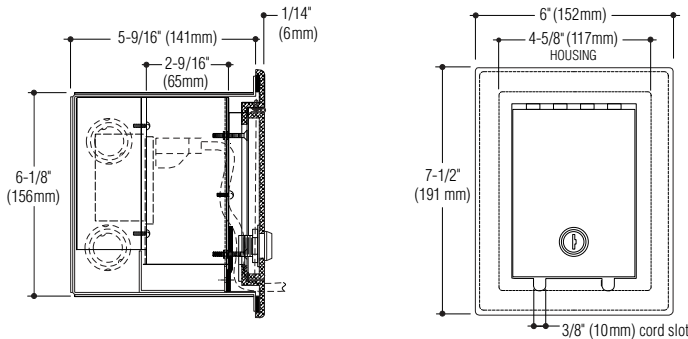
Various wiring device combinations are available as indicated with catalog suffixes

- Recessed housing has eight 1/2" - 3/4" - 1" combination trade-size knockouts
- Pedestal allows for two conduit stub-ups
- cETLus electrical Metallic Outlet Box listed for installation in wet locations while in use.

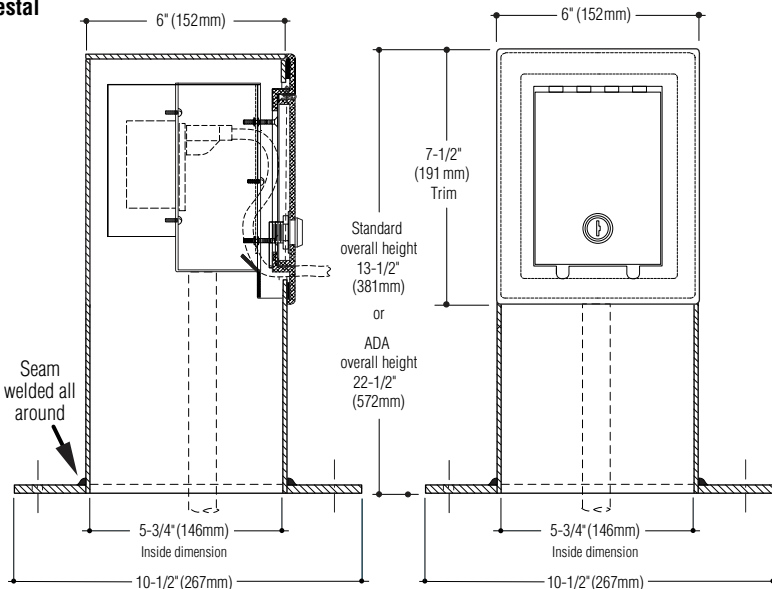
Mounting

Recessed housing suitable for concrete pour. Pedestal models include our 4" 5/16-18 stainless steel sleeve anchors.

Recessed



Pedestal



Catalog Numbers

Recessed housing, solid receptacle plate with voltage barrier	<input type="checkbox"/> TL210-WCS
6" Pedestal housing, solid receptacle plate with voltage barrier	<input type="checkbox"/> TL210-WCS-PED

Installed Devices

Weather resistant/tamper resistant receptacle	<input type="checkbox"/> -GFCI/WR/TR
Telephone or data connection in modular Decora® cutout	<input type="checkbox"/> -RJ11 or <input type="checkbox"/> -RJ45
Universal Serial Bus port	<input type="checkbox"/> -USB
High-definition multimedia interface	<input type="checkbox"/> -HDMI
Specify device to be installed or desired provisions-only	<input type="checkbox"/> -9/ _____ (device or provisions)

Options

Bronze cover: Satin finished, clear coated.
(Recessed only) Add suffix -B.

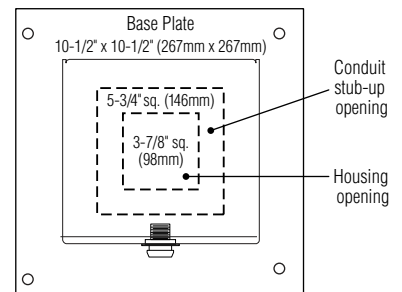
No key: Add suffix -NK.

Pedestal height over 6": Add suffix -PED/ _____
(height).

Custom color: Contact factory with preference. Add suffix -CC.

ADA compliant pedestal:

Add suffix -PED/ADA. *Maintains the minimum ADA required 15" receptacle height when pedestal is mounted at grade.*



Pedestal Conduit Clearance



C.W. Cole & Company, Inc.
2560 Rosemead Boulevard
South El Monte, CA 91733-1593

Tel. (626) 443-2473
Fax (626) 443-9253
info@colelighting.com
www.colelighting.com