

JOB NAME _____

TYPE _____

CATALOG NUMBER _____

Signs

TRADITIONAL

Edgelighted Signs

SK614 SERIES

SPECIFICATIONS

Construction

• Clear acrylic panel with green or red letters (6" for EXIT sign) and black backing • Single or double faced • Housing and bracket are cast aluminum with antique bronze vein powder coat • Not suitable for wet locations • Listed by ETL to UL 924 standard; meets NFPA Life Safety Code 101®.

Electrical

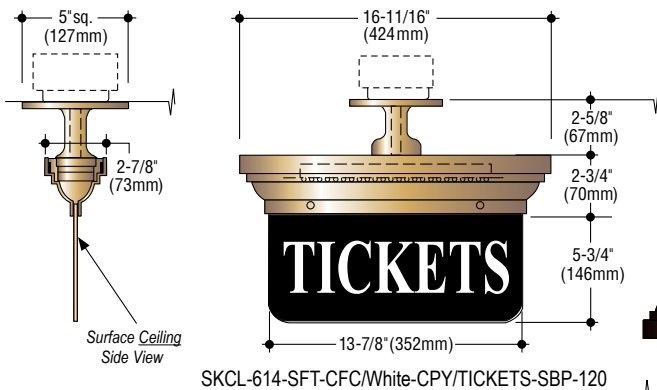
• Red or green LEDs are dual-circuit and universal voltage • When emergency battery operation is specified, all components are contained in housing.

Mounting

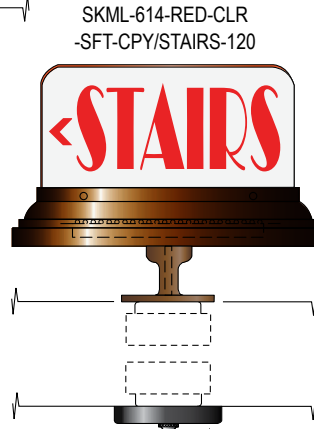
Decorative cast bracket mounts to outlet box for ceiling, end, back, or mullion mounting.

How to Specify

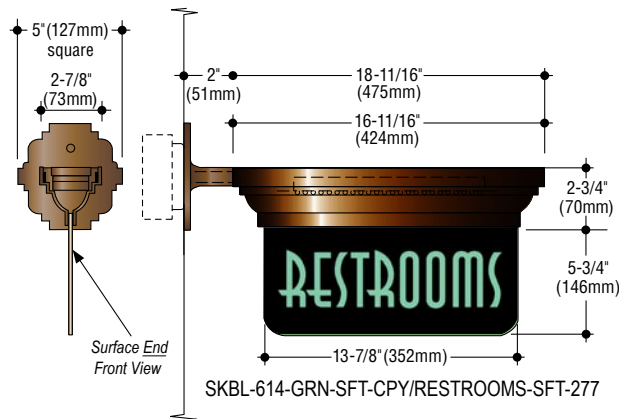
1. Select catalog number with desired features.
2. Add suffixes for options required to meet job conditions.



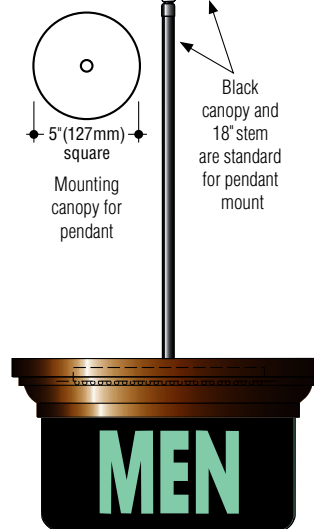
SKCL-614-SFT-CFC/White-CPY/TICKETS-SBP-120



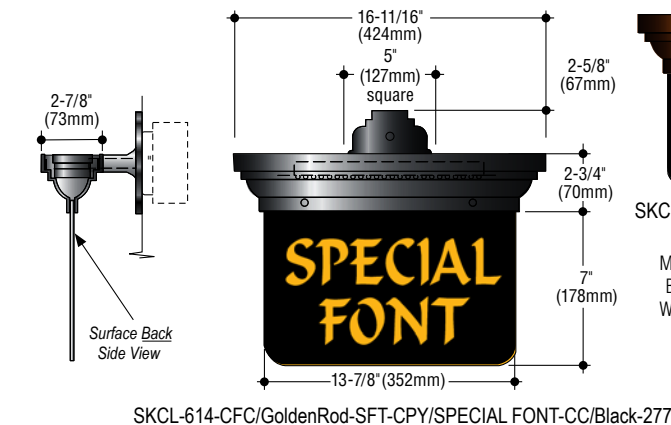
SKML-614-RED-CLR-SFT-CPY/STAIRS-120



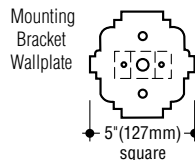
SKBL-614-GRN-SFT-CPY/RESTROOMS-SFT-277



SKCL-614-GRN-STF-S1-CPY/MEN-120



SKCL-614-CFC/GoldenRod-SFT-CPY/SPECIAL FONT-CC/Black-277



Catalog Numbers Lamps	Single Face				Double Face	
	Back	Ceiling	End	Mullion	Ceiling	End
LED .4W (Red), .3W (Green)	<input type="checkbox"/> KLWL-612	<input type="checkbox"/> KCL-612	<input type="checkbox"/> KBL-612	<input type="checkbox"/> KML-612	<input type="checkbox"/> KCLD-612	<input type="checkbox"/> KBLD-612
Required suffixes	Letter color: <input type="checkbox"/> Red. -RED. <input type="checkbox"/> Green. -GRN.			Voltage: <input type="checkbox"/> 120V. -120. <input type="checkbox"/> 277V. -277		
	Copy: Fill in your copy preference. Add suffix <input type="checkbox"/> -CPY/_____.					

Options

Directional arrows:

Arrow left, -AL; Arrow right, -AR;
Doublehead, -A2; Right and left (applies to double face only), -A.

Clear Panel: No black backing. Add suffix -CLR.

Emergency battery operation: Integral circuitry provides 90 min. of operation. Add suffix -EM.

Special Font: Contact factory for custom font preference. Add suffix -SFT.

Pendant mount: Provides canopy and 18" stem. Use ceiling model number and add suffix -S1.

Bronze Finish: Satin bronze plated, clear coat. Add suffix -SBP.

Custom color: Fixture housing and mounting bracket alternative color. Add suffix -CC/_____.

Custom font color: Custom painted font color. Add suffix -CFC/_____.