

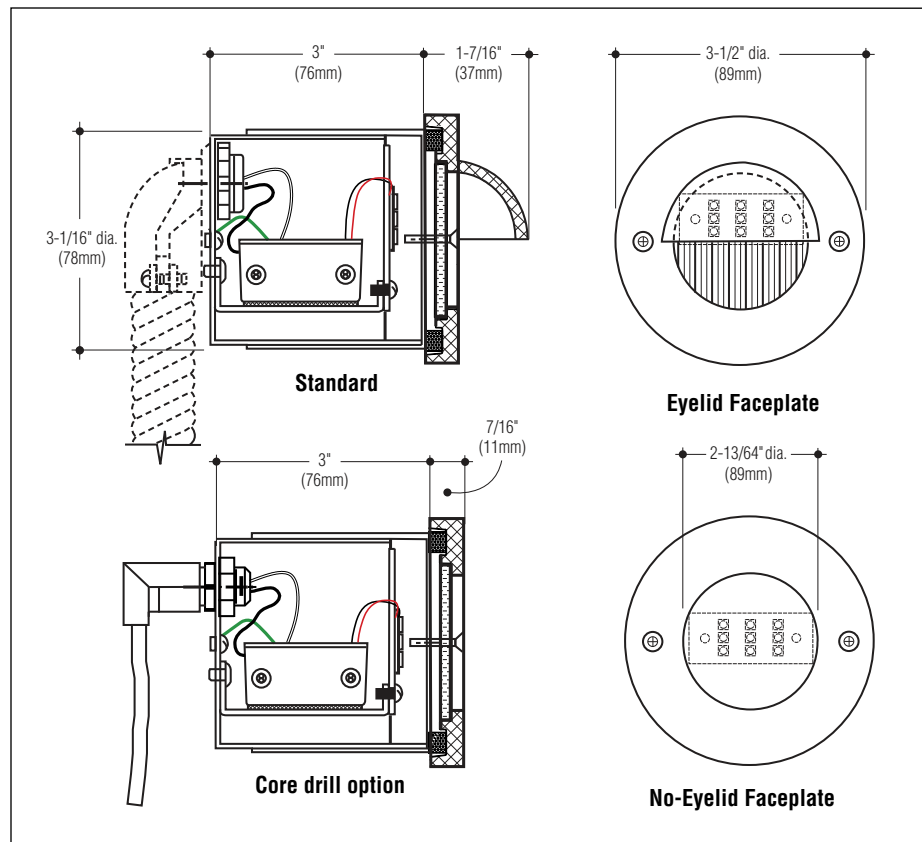
**JOB NAME** \_\_\_\_\_

**TYPE** \_\_\_\_\_

**CATALOG NUMBER** \_\_\_\_\_

## Steplites

### L131 SERIES



#### SPECIFICATIONS

##### Construction

- Housing is white polyester coated, 16 gauge spun steel suitable for concrete pour installations
- Cast aluminum eyelid or no-eyelid faceplate has a white polyester finish and is retained by stainless steel screws
- Clear ribbed spread lens (L131W) and Opal lens (L131GW) set in silicone sealant
- cETLus listed, suitable for wet locations in any wall construction.

##### Electrical

- High performance LEDs are available in a variety of colors
- Integral universal voltage driver is standard; 120V ELV dimming driver optional
- Housing provided with two 1/2" conduit knockouts
- Core drilled versions include 6 ft., 18/3 jacketed cord and weatherproof strain relief.

##### Mounting

Holes provided in back of housing for mounting.

#### Catalog Numbers

##### Lamp

LED 3.15W, (450 lm @ 3000°K)

Lumens shown are source.

Download photometric data for 131 Steplites: <https://www.colelighting.com/photometrics>

#### Faceplate

##### Eyelid

L131W

##### No-Eyelid

L131GW

#### Options

**Core drill installation:** Supplied with 6 ft. 18/3" jacketed cord. Add suffix  **-CD**.

##### LED color:

4000°K (470 lm). Add suffix  **-4K**,

Blue. Add suffix  **-BLU**.

Amber. Add suffix  **-AMB**,

590nm Amber (FWC compliant).

Add suffix  **-AMB/590**,

**Voltage:** 277V driver, universal voltage standard.

Add suffix  **-277**.

**Dimming:** 120v only, ELV dimming driver.

Add suffix  **-DIM**.

**Tamperproof screws:** Socket head faceplate

screws. Add suffix  **-TP**.

##### Diffusers:

**Frosted glass:** Tempered. Add suffix  **-FG**.

**Spread Lens:** Ribbed tempered glass (standard on the L131W). Add suffix  **-ST**.

**Opal glass:** Tempered (standard on the L131GW). Add suffix  **-OPL**.

##### Alternate faceplate colors:

Black. Add suffix  **-BLK**,

Metallic aluminum. Add suffix  **-ALU**,

Custom color. Add suffix  **-CC**.

**Brushed satin nickel plated.** Add suffix  **-BN**.

**Cast bronze faceplate:** Satin finish, clear coated.

Add suffix  **-B**.

#### How to Specify

1. Select catalog number.
2. Add suffixes for options required to meet job conditions.



**C.W. Cole & Company, Inc.**  
 2560 Rosemead Boulevard  
 South El Monte, CA 91733-1593

Tel. (626) 443-2473

Fax (626) 443-9253

info@colelighting.com

[www.colelighting.com](http://www.colelighting.com)