

JOB NAME _____ **TYPE** _____

CATALOG NUMBER _____

Steplites

2156 SERIES

SPECIFICATIONS

Construction

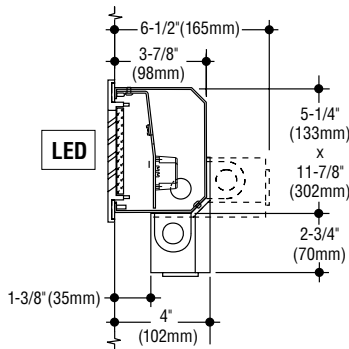
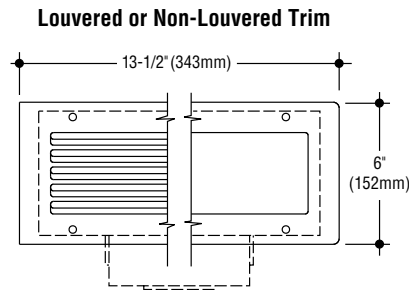
Recessed housing is constructed from die-formed 16 gauge steel electro-galvanized finished with a white polyester coating • Surface housing and faceplate is cast aluminum with metallic aluminum polyester coating, gasketed and retained by stainless steel screws • Diffuser is frosted tempered glass set in silicone sealant • Reflector is constructed of die-formed white aluminum • Optional junction box is cast aluminum with polyester coating • cETLus listed, suitable for wet locations in any wall construction; Incandescent models are for concrete pour/block wall construction only.

Electrical

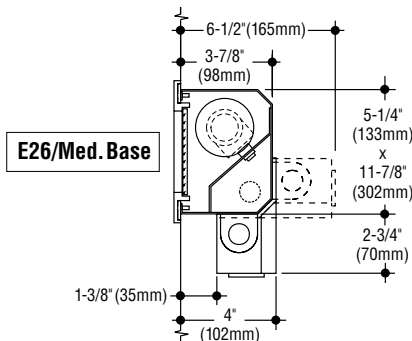
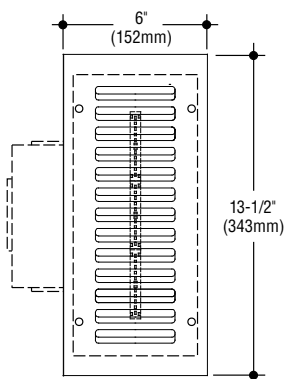
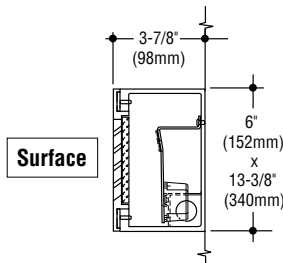
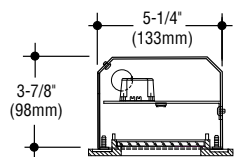
• Fixture is wired for high performance LEDs or two E26 medium base lamp socket • Integral driver is standard universal voltage; optional 0-10V dimming driver available • Recessed housing provided with 1/2" conduit knockout on each side, suitable for 4 wire thru-wiring, 2 in 2 out • Surface housing and optional junction box allow 8 wire thru-wiring, 4 in 4 out. Provided with two 1/2" tapped conduit entrances in the bottom and one 1/2" tapped conduit entrance in each side.

Mounting

Housing has flange with holes for mounting.



Louvered Vertical Housing



Catalog Numbers	Recessed Fixtures			Surface Fixtures		
	Faceplate	Faceplate	Faceplate	Faceplate	Faceplate	Faceplate
Lamp	Louver/Hor.	Louver/Vert.	Non-Louver	Louver/Hor.	Louver/Vert.	Non-Louver
LED 4.5W, (377 lm @ 3000°K)	<input type="checkbox"/> L2156W	<input type="checkbox"/> L2156VW	<input type="checkbox"/> L2156GW	<input type="checkbox"/> SL2156W	<input type="checkbox"/> SL2156VW	<input type="checkbox"/> SL2156GW
LED 9.4W, (993 lm @ 3000°K)	<input type="checkbox"/> L2156W-HO	<input type="checkbox"/> L2156VW-HO	<input type="checkbox"/> L2156GW-HO	<input type="checkbox"/> SL2156W-HO	<input type="checkbox"/> SL2156VW-HO	<input type="checkbox"/> SL2156GW-HO
LED 18.8W, (1986 lm @ 3000°K)	<input type="checkbox"/> L2156W-HO-2	<input type="checkbox"/> L2156VW-HO-2	<input type="checkbox"/> L2156GW-HO-2	<input type="checkbox"/> SL2156W-HO-2	<input type="checkbox"/> SL2156VW-HO-2	<input type="checkbox"/> SL2156GW-HO-2
Two E26 medium base	<input type="checkbox"/> T2156W	<input type="checkbox"/> T2156VW	<input type="checkbox"/> T2156GW	<input type="checkbox"/> ST2156W	<input type="checkbox"/> ST2156VW	<input type="checkbox"/> ST2156GW

Lumens shown are source. Photometric data available for Steplites can be downloaded at: <https://www.colelighting.com/photometrics>

Options

Junction box: Bottom or back mounted as required for feed-thru. (Not for surface housing)

Add suffix -J.

Cast Bronze faceplate and surface housing:

Satin finished, clear coated. Add suffix -B.

Tamperproof screws: Socket head faceplate screws. Add suffix -TP.

Alternate faceplate color: Black, White or custom color. Add suffix -BLK, -WHT or -CC

(Contact factory for custom preference).

Emergency battery (4 Watt): Provides up to 90 minutes operation. Add suffix -EM

Opal glass diffuser: Tempered. Add suffix -OPL.

Dimming: Universal voltage 0-10V driver.

Add suffix -DIM.

Voltage: 277V ballast. Add suffix -277.

LED colors:

4000°K (438lm), -HO (1152lm),

-HO-2 (2304lm). Add suffix -4K.

Amber* (FWC compliant, 590 nm). Add suffix -AMB.

Blue* Add suffix -BLU.

*Not available in HO-2.

How to Specify

1. Select catalog number with desired features.
2. Add suffixes for options required to meet job conditions.



C.W. Cole & Company, Inc.
2560 Rosemead Boulevard
South El Monte, CA 91733-1593

Tel. (626) 443-2473

Fax (626) 443-9253

info@colelighting.com

www.colelighting.com