

**JOB NAME** \_\_\_\_\_

**TYPE** \_\_\_\_\_

**CATALOG NUMBER** \_\_\_\_\_

**Exits**

**BRUTUS**

**Very Tough Exit Signs**

**Interior/Exterior Applications**

**SPECIFICATIONS**

**Construction**

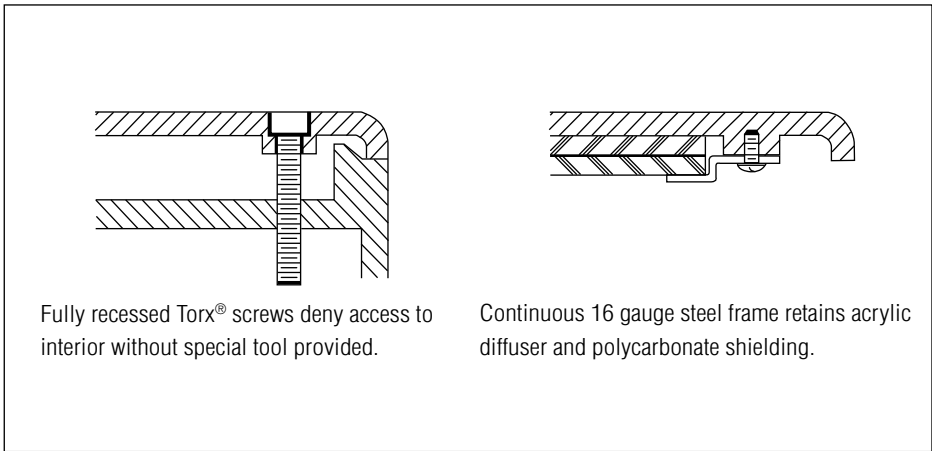
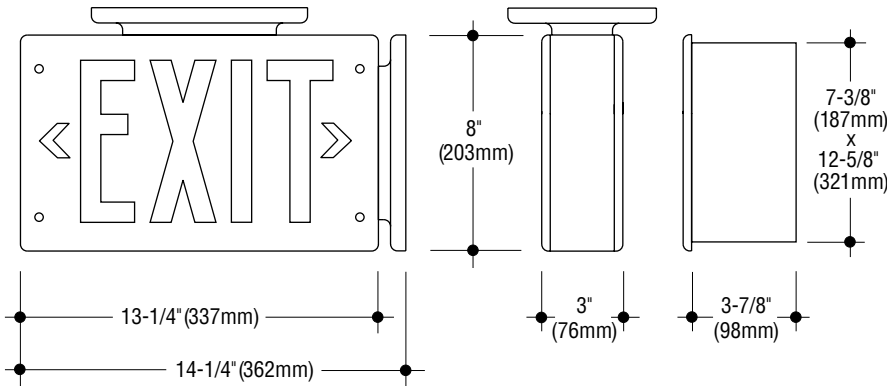
- Surface housing, faceplate, and bracket are constructed from cast aluminum with a black finish
- Recessed housing is 16 gauge steel, suitable for poured concrete construction
- Letters and arrows are stencil cast in faceplate
- Diffuser is .125" colored acrylic covered by .125" clear polycarbonate shielding, retained by continuous 16 gauge steel frame
- Faceplate is retained by four Torx® tamperproof screws
- Listed by ETL to UL 924 standard; meets NFPA Life Safety Code 101®.

**Electrical**

- Red or green LEDs are dual-circuit and universal voltage
- When emergency battery operation is specified, all components are contained in housing. Nickel cadmium battery, test light and button are included with the -EM option.

**Mounting**

- Surface signs mount with concealed fasteners to wall or ceiling construction, not to junction box
- Recessed housing has holes for mounting.



Catalog Numbers Lamps	Single Face			Double Face		
	Back	Ceiling	End	Recessed	Ceiling	End
LED .4W (Red), .3W (Green)	<input type="checkbox"/> LX165	<input type="checkbox"/> LX166	<input type="checkbox"/> LX168	<input type="checkbox"/> LX167	<input type="checkbox"/> LDX166	<input type="checkbox"/> LDX168

**Required suffixes**

- Letter color  -RED  -GRN  
 Voltage  -120  -277

**Options**

**Directional arrows:**

- Arrow left  -AL.
- Arrow right  -AR.
- Doublehead  -A2.
- Left and right (for double face)  -A.

**Emergency battery:** Integral circuitry provides 90 minutes of operation. Add suffix  -EM.

**Weatherproof:** Add suffix  -W.

**Voltage:** 277V driver, universal voltage. Add suffix  -277.

**Faceplate painted colors:**

- Whitel. Add suffix  -WHT.
- Custom color, contact factory for custom preference. Add suffix  -CC.

**How to Specify**

1. Select catalog number with desired features.
2. Add suffixes for options required to meet job conditions.



**C.W. Cole & Company, Inc.**  
 2560 Rosemead Boulevard  
 South El Monte, CA 91733-1593

**Tel. (626) 443-2473**  
**Fax (626) 443-9253**  
**info@colelighting.com**  
[www.colelighting.com](http://www.colelighting.com)