

JOB NAME _____

TYPE _____

CATALOG NUMBER _____

Downlites Round Concrete Mount

SPECIFICATION

Construction

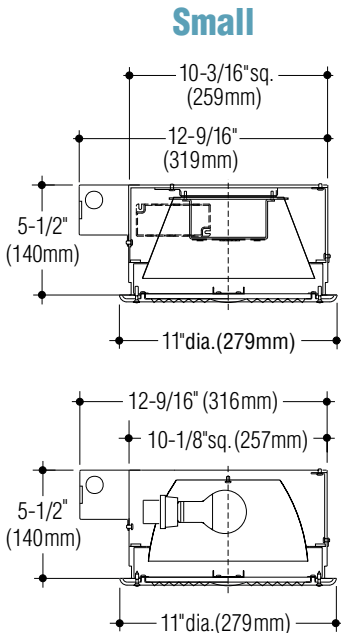
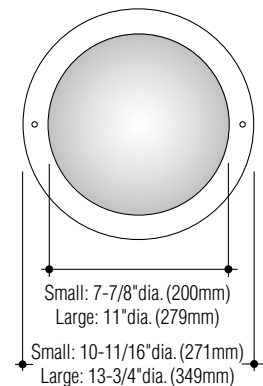
- Cast aluminum trim with metallic aluminum polyester coating. Optional colors are available
- 16 gauge electro-galvanized steel housing with white polyester coating
- Drop-hinged trim secured by two stainless steel captive screws
- Semi-specular aluminum reflector on E26 lamp holder models
- Opal glass lens furnished as standard. Optional frosted tempered glass is available.

Electrical

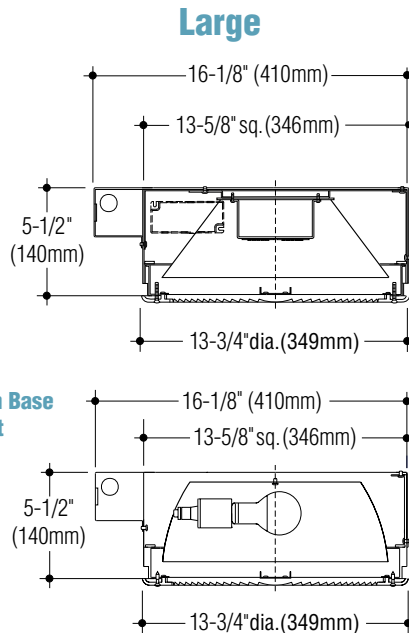
- Fixtures are wired for standard and high output LEDs available in a variety of colors or E26/medium base lamps
- Integral drivers are universal voltage; 0-10v dimming drivers available
- Integral junction box has 1/2" conduit knockouts at each end and two in back
- Junction box is accessible from above and within housing for wiring before or after the fixture is in place
- cETLus listed for wet locations when specified.

Mounting

- Housing has flanges for attachment to forms.



LED



L26 Medium Base Socket

	Catalog Number	Wattage/Lamp	Base
Small	<input type="checkbox"/> DL2308R	LED 21W, (3030 lm @ 3000°K)	Chip on board
	<input type="checkbox"/> DL2308R-HO	LED 29W, (4240 lm @ 3000°K)	Chip on board
	<input type="checkbox"/> DL2308R-VHO	LED 43W, (6350 lm @ 3000°K)	Chip on board
	<input type="checkbox"/> DL2608R	E26 LED lamp socket	Medium base
Large	<input type="checkbox"/> DL2312R	LED 21W, (3030 lm @ 3000°K)	Chip on board
	<input type="checkbox"/> DL2312R-HO	LED 29W, (4240 lm @ 3000°K)	Chip on board
	<input type="checkbox"/> DL2312R-VHO	LED 43W, (6350 lm @ 3000°K)	Chip on board
	<input type="checkbox"/> DL2612R	E26 LED lamp socket	Medium base

Lumens shown are source. | Photometric data available for Downlites upon request.

Options

Trim:

- Satin stainless steel. Add suffix -N.
- Cast louvered. (Small only) Add suffix -L.
- Cast regressed. Add suffix -P.

Diffuser:

- 3/8" Frosted tempered glass diffuser.
- Add suffix -HD.

- Tamperproof screws:** Socket head trim screws.
- Add suffix -TP.

- Dimming:** LED, Universal voltage, 0-10V driver.
- Add suffix -DIM.

- LED colors:** 4000°K (3075 lm), -HO (4303 lm), -VHO (6445 lm). Add suffix -4K

- Weatherproof:** IP 55 rated for exterior applications. Add suffix -W.

- Emergency battery:** Provides up to 90 minutes of operation. Add suffix -EM.

Alternate faceplate color:

- Black. Add suffix -BLK.
- White. Add suffix -WHT.
- Custom color. Add suffix -CC/_____ specify

How to Specify

1. Select catalog number.
2. Add suffixes for options required to meet job conditions.



C.W. Cole & Company, Inc.
2560 Rosemead Boulevard
South El Monte, CA 91733-1593

Tel. (626) 443-2473
Fax (626) 443-9253
info@colelighting.com
www.colelighting.com