

**JOB NAME** \_\_\_\_\_

**TYPE** \_\_\_\_\_

**CATALOG NUMBER** \_\_\_\_\_

## Plugging Box

### TLS330 SERIES

#### SPECIFICATIONS

##### Construction

- Frame and door are cast aluminum with natural satin finish
- Housing and interior panel are 16 gauge steel with white polyester coating
- Frame has integral flange for carpet; optional flangeless frame is available
- Inner hinged cover closes cord slot when not in use.

##### Electrical

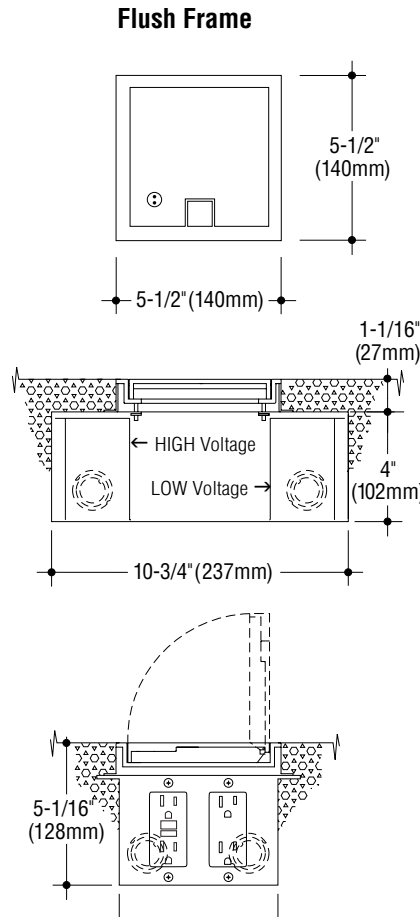
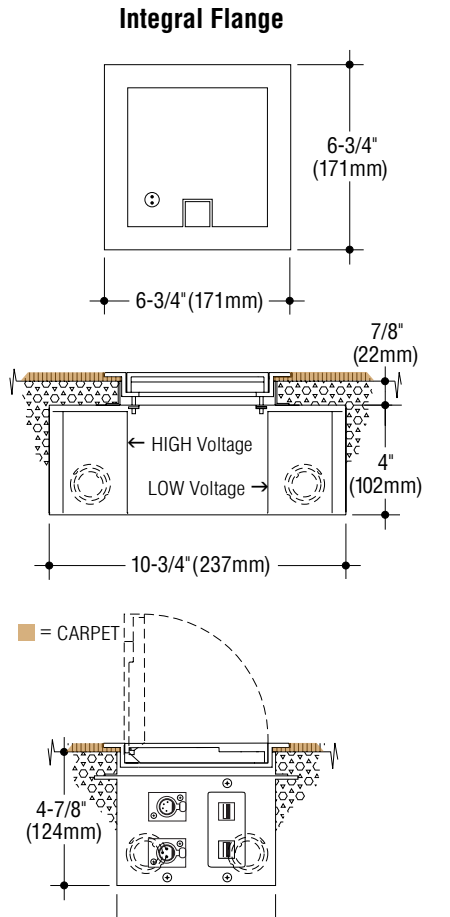
- Interior panels are provided blank to allow contractor to install required devices; can be provided with specified devices factory-installed
- Housing has two 1/2"-3/4"-1" combination trade size conduit entrances in each end
- Separation barrier is required if high and low voltages are present in same interior panel
- cETLus listed electrical Metallic Outlet Box.

##### Mounting

Housing is designed for installation in poured concrete floors.

##### How to Specify

1. Select catalog number with option suffix(es).
2. Specify electrical devices if factory installation is desired.
3. Indicate special conduit feed locations if required.



Mounting area for devices: 5-3/8"W x 3-3/4"H on each side

Catalog Number  TLS330

#### Device Options

- Duplex Receptacle:** Dual plug 15-amp receptacle. Add suffix  **-DUP**
- Ground Fault Circuit Interrupter:** Weather resistant/tamper resistant 20-amp receptacle. Add suffix  **-GFCI**
- Duplex/Cable Receptacle:** Combo dual 15-amp plug and 2 USB ports. Add suffix  **-DUP/USB**
- Phone/Ethernet:** Telephone or data connection in modular cutout. Add suffix  **-RJ11** or  **-RJ45**
- Standard cable connection interface:** Universal Serial Bus port. Add suffix  **-USB**
- Audio/video interface:** High-definition multimedia interface. Add suffix  **-HDMI**
- Microphone connector:** XLR 3-pole, jack, panel mount. Add suffix  **-MIC**
- Speaker connector:** XLR 4-pole, jack, panel mount. Add suffix  **-SPKR**
- Customer specific:** Specify device or desired provisions. Add suffix  **-9/(device or provisions)**

#### Options

- Bronze:** Frame and doors are satin finished cast red brass. Add suffix  **-B.**
- Flush Frame:** Provides flangeless frame (5-3/4" x 5-3/4") for non-carpeted floors. Add suffix  **-FF**

TLS330 Device Capacity Chart								
<b>-DUP</b> duplex	<b>-GFCI</b> duplex w. circuit breaker	<b>-DUP /USB</b> duplex w. USB ports	<b>-RJ11</b> 1-6 jacks per insert	<b>-RJ45</b> 1-6 jacks per insert	<b>-USB</b> 1-6 ports per insert	<b>-HDMI</b> 1-6 ports per insert	<b>-SPKR</b> single	<b>-MIC</b> single
<b>Maximum inserts per housing = 4</b>							<b>= 8</b>	
Mixed and matched quantities not to exceed total in any column.								



**C.W. Cole & Company, Inc.**  
2560 Rosemead Boulevard  
South El Monte, CA 91733-1593

Tel. (626) 443-2473  
Fax (626) 443-9253  
info@colelighting.com  
[www.colelighting.com](http://www.colelighting.com)