

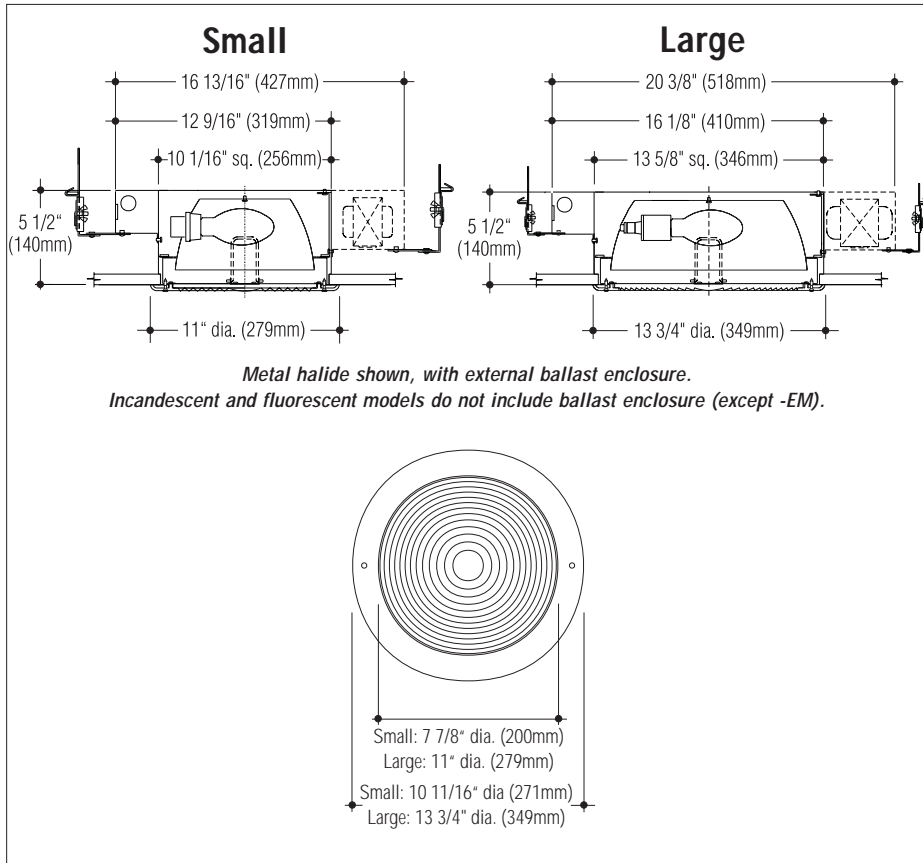
JOB NAME _____

Type _____

CATALOG NUMBER _____

Downlites

Round Dry Ceiling



Specifications

Construction

- Cast aluminum trim with metallic aluminum polyester coating. Other colors are available.
- 16 gauge steel housing with white polyester coating
- Drop-hinged trim secured by two stainless steel captive screws
- Semi-specular aluminum reflector
- Flat fresnel glass lens standard for incandescent and metal halide models; flat Pattern 73 prismatic glass lens for fluorescent models. Other shielding is available.

Electrical

- Fixture is wired for a single, horizontal lamp of varying types and wattages
- Fluorescent ballasts are electronic 120V-277V (347V optional)
- Metal halide ballasts are core and coil 120V/277V (347V optional)
- Integral junction box has 1/2" conduit knockouts at each end and two in back
- Junction box is accessible from above for conduit connections before closing ceiling, and accessible from within housing for wiring after the fixtures is installed.

Mounting

- Housing has adjustable hangers and two 18" mounting bars.

	Catalog Number	Wattage/Lamp	Base
Small	<input type="checkbox"/> 1408RS	32W triple 4-pin fluorescent	GX24q-3
	<input type="checkbox"/> 1508RS	100W metal halide	E17 Medium
	<input type="checkbox"/> 1608RS	150W incandescent	A21 Medium
Large	<input type="checkbox"/> 1412RS	42W triple 4-pin fluorescent	GX24q-4
	<input type="checkbox"/> 1512RS	150W metal halide	E17 Medium
	<input type="checkbox"/> 1612RS	200W incandescent	A21 Medium

How to Specify

1. Select catalog number.
2. Add suffixes for options required to meet job conditions.

Options

Trim:

- Satin Stainless Steel. Add suffix -N.
- Cast Louvered. (Small only) Add suffix -L.
- Cast Regressed. Add suffix -P.

Shielding:

- Concave Lens
- Small: Holophane #555. Add suffix -555.
- Large: Holophane #556. Add suffix -556.
- Flat 3/8" Tempered Frosted Glass. Add suffix -HD.

- Emergency Battery:** Provides 90 minutes operation. (Fluorescent only) Add suffix -EM.
- Weatherproof Gasket:** Add suffix -W.
- Tamperproof Screws:** Add suffix -TP. Ballasts: 277V, 347V. Add suffix -277, -347.
- Electronic HID: Add suffix -EB.
- Alternate Faceplate Color:** Black and White. Add suffix -BLK or -WHT.



C. W. Cole & Company, Inc.
2560 N. Rosemead Boulevard
South El Monte, CA 91733-1593

Fax (626) 443-9253
Tel. (626) 443-2473
info@colelighting.com
www.colelighting.com