

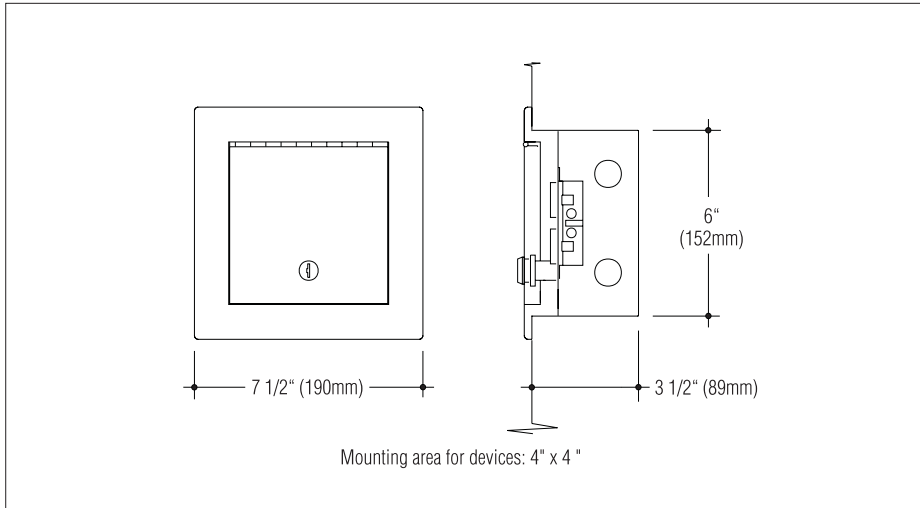
JOB NAME _____

Type _____

CATALOG NUMBER _____

Plugging Boxes

**310 SERIES
Recessed Wall Box**



Specifications

Construction

- Cover is cast aluminum with self-closing and locking door
- All units keyed alike
- Cover is gasketed weathertight
- Housing is 16 gauge
- Cover and housing metallic aluminum enamel powder coating

Electrical

- Various wiring devices or combinations are available as indicated with catalog suffixes
- Units with multiple-voltage requirements have metal circuit barrier.
- All parts are grounded
- Housing has eight 1/2" - 3/4" - 1" combination trade-size conduit entrances

Catalog Numbers

Blank interior plate. No device furnished	<input type="checkbox"/> TL-310
Two duplex U-ground power outlets 15 amp, 125 volt	<input type="checkbox"/> TL-310-1
Two duplex 3-wire twist-lock power outlets. 15 amp, 125 volt	<input type="checkbox"/> TL-310-2
One 3-pole microphone outlet and one 4-pole speaker outlet. Low voltage	<input type="checkbox"/> TL-310-3
One duplex U-ground power outlet with one 3-pole microphone and one 4-pole speaker outlet. 15 amp, 125 volt. Low voltage	<input type="checkbox"/> TL-310-4
One duplex 3-wire twist-lock outlet with one 3-pole microphone and one 4-pole speaker outlet. 15 amp, 125 volt. Low voltage	<input type="checkbox"/> TL-310-5
Additional combinations of above or other standard wiring devices as required. Standard voltage side: one duplex or one single device. Low voltage side: two devices. Specify complete requirements: _____	<input type="checkbox"/> TL-310-9

Mounting

- Interior or exterior stud wall or concrete pour

Options

Bronze Cover: Satin finished red brass.

Add suffix -B.

Concrete Mount: Add suffix -C.

J02

How to Specify

1. Select catalog number with desired features.
2. Add suffixes for options required to meet job conditions.



C. W. Cole & Company, Inc.
2560 N. Rosemead Boulevard
South El Monte, CA 91733-1593

Fax (626) 443-9253

Tel. (626) 443-2473

info@colelighting.com

www.colelighting.com