

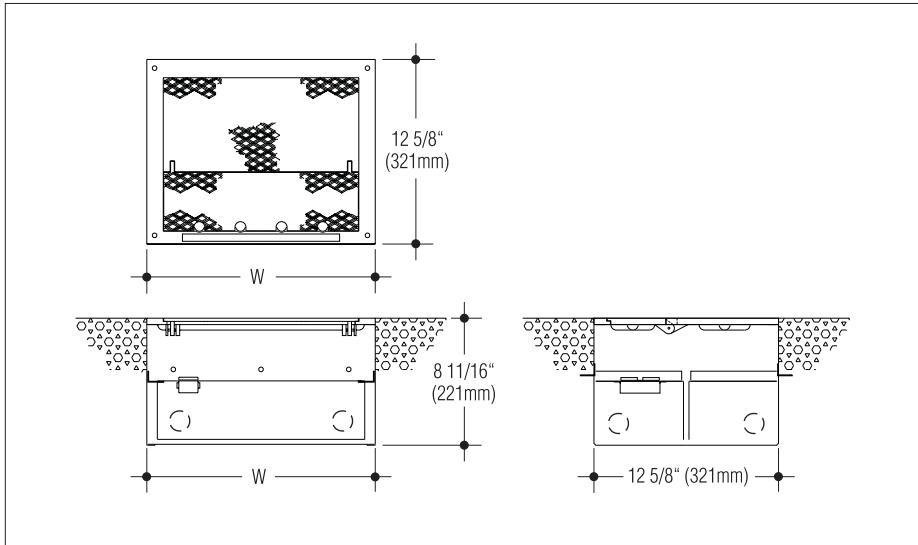
JOB NAME _____

Type _____

CATALOG NUMBER _____

Plugging Boxes

**350 SERIES
Recessed Stage Pockets**



Specifications

Construction

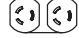

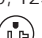
- Cover is cast iron with non-skid tread design and cord-clearance slots (except TLS-351-W)
- 16 gauge steel housing • Cover and housing baked black enamel • TLS-351-W satin finished cast aluminum cover substitutes for standard cover on TLS-351 • TLS-351-W has neoprene gasket and is suitable for wet locations

Electrical

- Various wiring devices or combinations are available as indicated with catalog suffixes
- All parts grounded • Housings have eight 1/2" - 3/4" - 1" combination trade-size conduit entrances

Mounting

- Two removable angles furnished for mounting to any side • Suitable for mounting in wood or concrete floors • Grout is required to seal cover with finished floor • Throw-away pan included for casting into poured concrete to provide clearance for cover

OUTLETS			CATALOG NUMBER				
NUMBER OF DEVICES & CORD SLOTS	WIDTH (W)	DEVICE MOUNTING AREA	Duplex 15 amp twist-lock 	Duplex 15 amp U-ground 	Single 3-wire U-ground power outlet (NEMA 5-20) 20 amp, 125 volt 	Blank interior plate. No device Furnished	Other devices or combinations as required. Specify requirements: _____ _____
1	7"	4"W x 3 3/4"	<input type="checkbox"/> TLS-351-2	<input type="checkbox"/> TLS-351-3	<input type="checkbox"/> TLS-351-6	<input type="checkbox"/> TLS-351-8	<input type="checkbox"/> TLS-351-9
2	9 3/4"	6"W x 3"	<input type="checkbox"/> TLS-352-2	<input type="checkbox"/> TLS-352-3	<input type="checkbox"/> TLS-352-6	<input type="checkbox"/> TLS-352-8	<input type="checkbox"/> TLS-352-9
3	12 5/8"	9 1/2"W x 6"	<input type="checkbox"/> TLS-353-2	<input type="checkbox"/> TLS-353-3	<input type="checkbox"/> TLS-353-6	<input type="checkbox"/> TLS-353-8	<input type="checkbox"/> TLS-353-9
4	15 5/8"	12"W x 3"	<input type="checkbox"/> TLS-354-2	<input type="checkbox"/> TLS-354-3	<input type="checkbox"/> TLS-354-6	<input type="checkbox"/> TLS-354-8	<input type="checkbox"/> TLS-354-9

Options

Concrete Mount: Add suffix -C.

Cast Iron Cover: TLS-351-W only.

Add suffix -FE.

Watertight Cover: TLS-351 only. No cord slot.

Device mounting area is 4"W x 7".

Add suffix -W.

How to Specify

1. Select catalog number with desired features.
2. Add suffixes for options required to meet job conditions.
3. For higher-rated outlets, specify required amperage.



C. W. Cole & Company, Inc.
2560 N. Rosemead Boulevard
South El Monte, CA 91733-1593

Fax (626) 443-9253
Tel. (626) 443-2473
info@colelighting.com
www.colelighting.com