

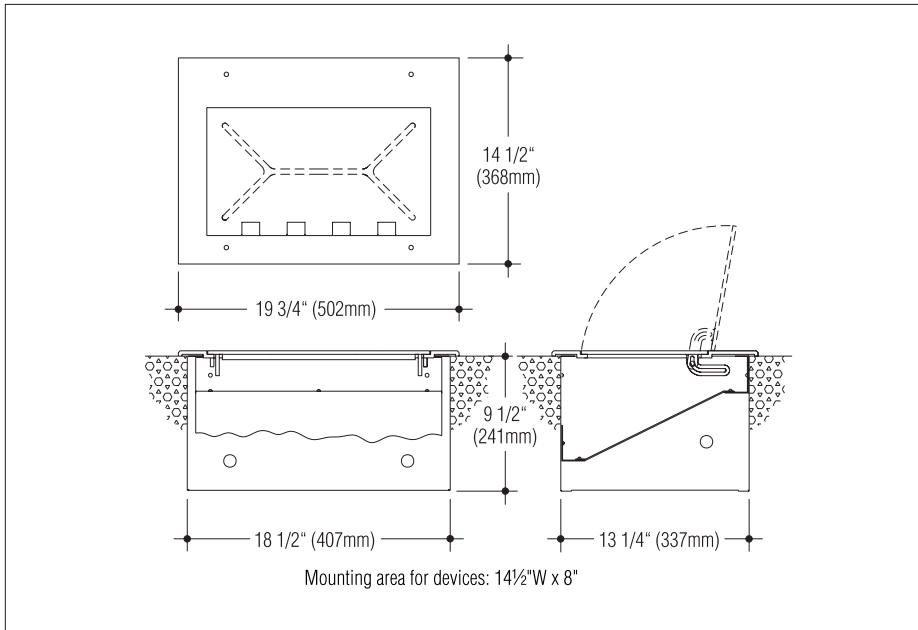
JOB NAME _____

Type _____

CATALOG NUMBER _____

Plugging Boxes

370 SERIES



Specifications

Construction

- Frame and door are cast aluminum with natural satin finish
- Housing is 16 gauge steel with white polyester coating
- Frame has integral flange for carpet; optional flangeless frame is available
- Four cord slots allow cords to pass with door in closed position

Electrical

- Interior panel is provided blank to allow contractor to install required devices; can be provided with specified devices factory-installed
- Combination knockouts for 1/2"-3/4"-1" conduit sizes are furnished in ends and back (2)
- Separation barrier is required if high and low voltages are present in same box

Mounting

- Housing is suitable for concrete pour or wood floor installation
- Flanges are provided on the sides

Catalog Numbers

TL-370

Options

Cast Bronze: Frame and door are satin finished cast red brass. Add suffix -B.

Flush Frame: Provides flangeless frame for non-carpeted floors; includes concrete cover for proper installation. Add suffix -FF.

Carpet Stops: Provides 1/4" vertical flange around perimeter of frame and cover for application of carpet directly on top of unit. Add suffix -CS.

Single Cord Slot: Provides single 4" wide cord slot with hinged door. Add suffix -1S.

Separation Barrier: Provides barrier below device mounting panel to allow different voltage devices to be used. Add suffix -SB.

Installed Devices: Specify required electrical devices for factory installation.

Add suffix -9: _____

How to Specify

1. Select catalog number with option suffix(es).
2. Specify electrical devices if factory installation is desired.
3. Indicate special conduit feed locations if required.



C. W. Cole & Company, Inc.
2560 N. Rosemead Boulevard
South El Monte, CA 91733-1593

Fax (626) 443-9253
Tel. (626) 443-2473
info@colelighting.com
www.colelighting.com