

JOB NAME _____

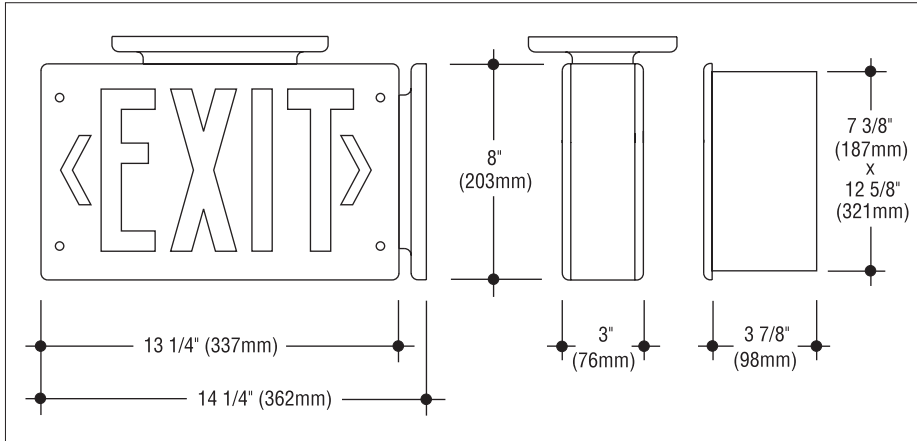
Type _____

CATALOG NUMBER _____

Brutus

Very Tough Exit Signs

Interior/Exterior Applications



Specifications

Construction

- Surface housing, faceplate, and bracket are constructed from cast aluminum with a bronze enamel finish
- Recessed housing is 16 gauge steel, suitable for poured concrete construction
- Letters and arrows are stencil cast in faceplate
- Diffuser is .125" colored acrylic covered by .125" clear polycarbonate shielding, retained by continuous 16 gauge steel frame
- Faceplate is retained by four Torx® tamperproof screws
- Optional downlite lens is .125" polycarbonate retained by steel rails
- Underwriters Laboratories, Inc. listed, suitable for wet locations when specified.

Electrical

- Sign is wired for lamps of varying types and wattages. Ballasts are standard 120V (277V optional)
- Signs are wired for two circuits
- Lamps are included with sign
- When emergency battery operation is specified, all components are contained in housing. Nickel cadmium battery, test light and button, and two F6T5 fluorescent lamps or LEDs are included with the -EM option.

Mounting

- Surface signs mount with concealed fasteners to wall or ceiling construction, not to junction box.
- Recessed housing has holes for mounting.

Catalog Numbers	Single Face			Double Face		
	Back	Ceiling	End	Recesseds	Ceiling	End
2 x 25W T6½ intermediate base incandescent	<input type="checkbox"/> TX 165	<input type="checkbox"/> TX 166	<input type="checkbox"/> TX 168	<input type="checkbox"/> TX 167	<input type="checkbox"/> TDX 166	<input type="checkbox"/> TDX 168
2 x 7W (G23 base) compact fluorescent	<input type="checkbox"/> FX 165	<input type="checkbox"/> FX 166	<input type="checkbox"/> FX 168	<input type="checkbox"/> FX 167	<input type="checkbox"/> FDX 166	<input type="checkbox"/> FDX 168
LED (light-emitting diode)	<input type="checkbox"/> LX 165	<input type="checkbox"/> LX 166	<input type="checkbox"/> LX 168	<input type="checkbox"/> LX 167	<input type="checkbox"/> LDX 166	<input type="checkbox"/> LDX 168
Required Suffixes						
Letter color	<input type="checkbox"/> -RED	<input type="checkbox"/> -GRN				
Voltage	<input type="checkbox"/> -120	<input type="checkbox"/> -277 (available in fluorescent and LED only)				

Options

Directional Arrows: Arrow left, -AL; Arrow right, -AR; Doublehead, -A2; Left and right (for double face), -A.

Downlite: Add suffix -G.

Alternate Faceplate Color: Black or white.

Add suffix -BLK or -WHT.

Long-life Diode: Incandescent only.

Packed separately for contractor installation.

Add suffix -LL.

Emergency Battery Operation: Integral circuitry for 1½ hour fluorescent or red LED operation.

Requires oversize canopy or other dimension changes. Add suffix -EM.

Weatherproof: Add suffix -W.

How to Specify

1. Select catalog number with desired features.
2. Add suffixes for options required to meet job conditions.



C. W. Cole & Company, Inc.
2560 N. Rosemead Boulevard
South El Monte, CA 91733-1593

Fax (626) 443-9253

Tel. (626) 443-2473

info@colelighting.com

www.colelighting.com