

JOB NAME _____

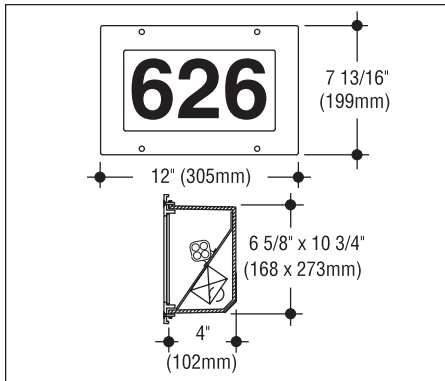
Type _____

CATALOG NUMBER _____

Directional Signs

Exterior Applications

S2153/S2156 Series



Catalog Number

Lamp

1x40W A19 med. base incand. S2153W-*
 1x28W (CFQ27W/GX32d) SF2153W-*

fluor., -22°F

* Add copy requirement

Options

Alternate Faceplate Color: Black or white. Add suffix -BLK or -WHT.

Ballast: 277V ballast. Add suffix -277.

High power factor. Add suffix -HPF

Bronze Faceplate: Satin finished. Add suffix -B.

Tamperproof Screws: Allen head. Add suffix -TP.

Specifications

Construction

- S2153 housing is constructed from cast aluminum
- S2156 housing is constructed from die-formed 16 gauge steel
- Housings are finished with a white polyester coating
- Faceplate is cast aluminum with metallic aluminum polyester coating, gasketed and retained by stainless steel screws
- Diffuser is .125" white acrylic set in silicone sealant
- Reflector is die-formed semi-specular aluminum
- ETL listed, suitable for wet locations
- Incandescent models suitable for concrete pour/block wall construction only
- Fluorescent models suitable for any wall construction

Copy

- Copy is either applied vinyl or silk-screened, as most suitable for quantity required
- Standard copy is opaque black on white background
- Factory will size copy required in block letters as illustrated, unless otherwise specified

Electrical

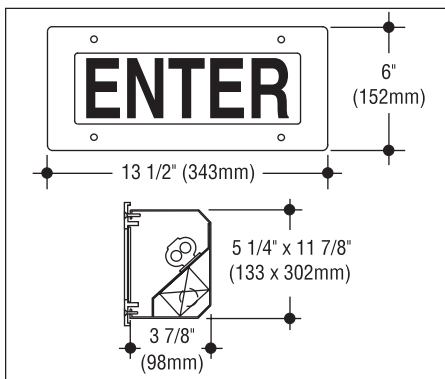
- Wired for incandescent or fluorescent lamps as indicated by catalog number
- Ballasts for fluorescent models are standard 120V (277V optional), low ambient

Mounting

Housing has flange with holes for mounting.

How to Specify

1. Select catalog number with desired features.
2. Add copy to catalog number, including color and style if there are specific requirements.
3. Add suffixes for options required to meet job conditions.



Catalog Number

Lamp

2x25W A19 med. base incand. S2156W-*
 1x13W (CFT13W/GX23) SF2156W-*

compact fluor.

* Add copy requirement

Options

Alternate Faceplate Color: Black or white. Add suffix -BLK or -WHT.

Ballast: 277V ballast. Add suffix -277.

High power factor. Add suffix -HPF

Bronze Faceplate: Satin finished. Add suffix -B.

Tamperproof Screws: Allen head. Add suffix -TP.



C. W. Cole & Company, Inc.
 2560 N. Rosemead Boulevard
 South El Monte, CA 91733-1593

Fax (626) 443-9253
 Tel. (626) 443-2473
 info@colelighting.com
 www.colelighting.com