

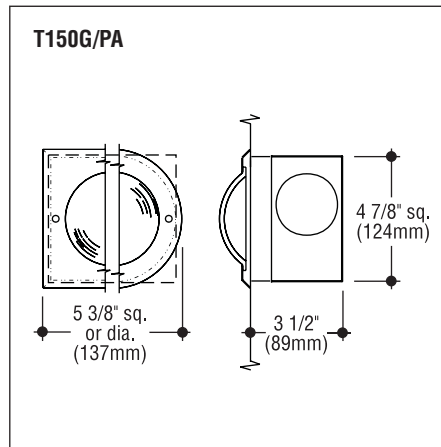
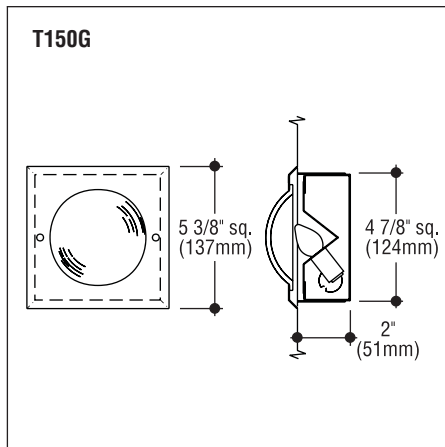
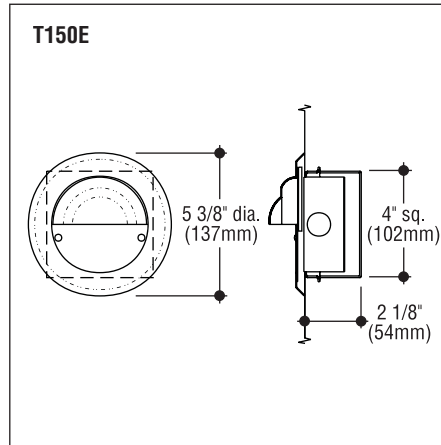
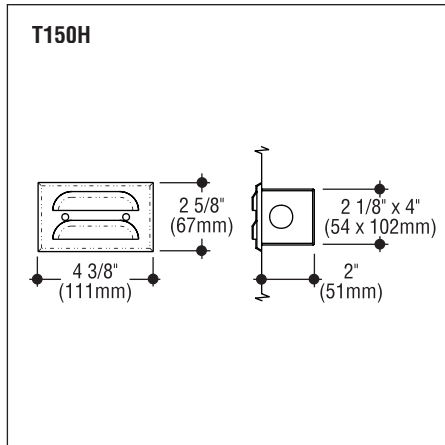
JOB NAME _____

Type _____

CATALOG NUMBER _____

Steplites

150 SERIES



Specifications

Construction

- Faceplate is die-formed 20 gauge steel with white polyester coating
- T150H and T150E utilize standard electrical junction boxes as housings
- T150G and T150G/PA have 18 gauge steel housing with white epoxy coating
- Faceplate is gasketed for light leak
- Diffuser is .125" acrylic
- Reflector is constructed of white die-formed aluminum
- cETLus listed, suitable for installation in any wall construction.

Electrical

- Fixture is wired for one 7W C7 candelabra base incandescent lamp (25W A19 medium base for T150G/PA models)
- Fixtures feature thru-wire capability: T150H, 2 wires in, 2 wires out; T150E, 3 wires in, 3 wires out; T150G, 3 wires in, 3 wires out; T150G/PA, 3 wires in, 3 wires out. Provided with two 1/2" conduit entrances
- T150G/PA models have long-life diode prewired in circuit.

Mounting

Housing has holes for mounting.

Catalog Numbers

Lamp	Faceplate	
One 7W C7 candelabra base incandescent	Rectangular with louver	<input type="checkbox"/> T 150H
One 7W C7 candelabra base incandescent	Round with "eyelid", white diffuser	<input type="checkbox"/> T 150E
One 7W C7 candelabra base incandescent	Square with round red diffuser	<input type="checkbox"/> T 150G
One 25W A19 medium base incandescent*	Square with round blue diffuser, PA code	<input type="checkbox"/> T 150G/PAS
One 25W A19 medium base incandescent*	Round with blue diffuser, PA code	<input type="checkbox"/> T 150G/PAR
LED		<input type="checkbox"/> L150H

* requires Osram/Sylvania lamp (3 15/16" M.O.L.)

Options

Stainless Steel Faceplate: (except T150E)

Add suffix -N.

Alternate Diffuser Color: White, red, blue, and green. Add suffix -WHT, -RED,

-BLU, or -GRN.

Alternate Faceplate Color: Black or aluminum.

Add suffix -BLK or -ALM.

How to Specify

1. Select catalog number with desired features.
2. Add suffixes for options required to meet job conditions.



C. W. Cole & Company, Inc.
 2560 N. Rosemead Boulevard
 South El Monte, CA 91733-1593

Fax (626) 443-9253
 Tel. (626) 443-2473
 info@colelighting.com
 www.colelighting.com