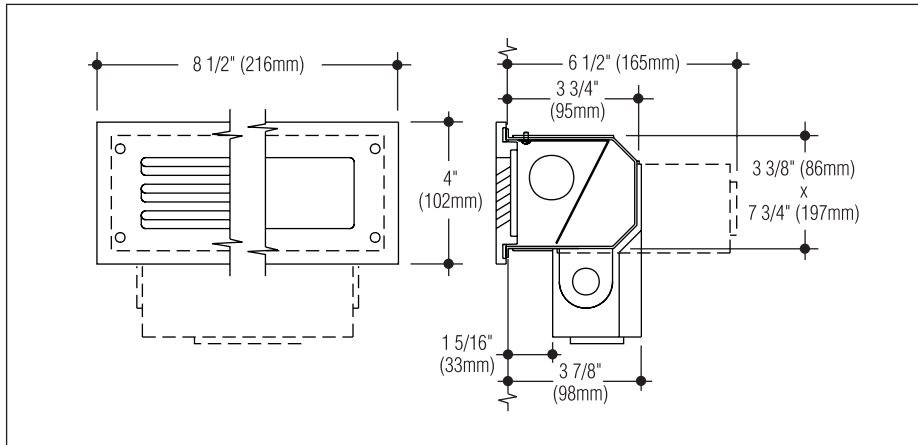


JOB NAME _____

Type _____

CATALOG NUMBER _____

Steplites



158 SERIES

Specifications

Construction

- Fixture housing is constructed from die-formed 16 gauge steel finished with a white polyester coating
- Faceplate is cast aluminum with metallic aluminum polyester coating, gasketed and retained by stainless steel screws
- Diffuser (omitted in non-weatherproof louver faceplate models) is frosted tempered glass, set in silicone sealant in weatherproof models
- Reflector is constructed of die-formed semi-specular aluminum
- Optional junction box is cast aluminum with polyester coating
- cETLus listed
- Incandescent type IC models, furnished without glass diffuser, suitable for dry or damp locations only in any wall construction
- Non-type IC incandescent models suitable for wet locations in concrete pour/block wall construction only
- Fluorescent and LED models suitable for wet locations, any wall construction

Electrical

- Fixture is wired for either 40W T10 incandescent (25W for IC application), one 7W, 9W compact fluorescent lamp, or LED. Ballast is standard 120V (277V optional), low-ambient
- Pivoting fluorescent socket eases relamping
- Low-voltage model provides single contact bayonet socket for use with low voltage circuit (transformer not included)
- Optional junction box allows 8 wire thru-wiring, four in and four out. Provided with two 1/2" tapped conduit entrances in the bottom and one 1/2" conduit entrance in each side
- 39 amber or white color LEDs in three rows

Mounting

Housing has flange with holes for mounting.



C. W. Cole & Company, Inc.
 2560 N. Rosemead Boulevard
 South El Monte, CA 91733-1593

Fax (626) 443-9253
 Tel. (626) 443-2473
 info@colelighting.com
 www.colelighting.com

Catalog Numbers Lamp	Faceplate	
	Louver	Glass
One 25W T10 medium base incandescent (type IC)	<input type="checkbox"/> T 158-IC	—
One 40W T10 medium base incandescent	<input type="checkbox"/> T 158	<input type="checkbox"/> T 158G
One 7W or 9W (G23 base) compact fluorescent	<input type="checkbox"/> F 158	<input type="checkbox"/> F 158G
One low-voltage SC bayonet base incandescent	<input type="checkbox"/> T 158-LV	<input type="checkbox"/> T 158G-LV
LED (light emitting diode)	<input type="checkbox"/> LA 158 (Amber)	
	<input type="checkbox"/> LW 158 (White)	

Options

Junction Box: Bottom or back mounted junction box for feed-thru. Add suffix -J.

Weatherproof: For exterior applications. Not for -IC models. Add suffix -W.

Sharp Cutoff Louver (except L158): Reduces illumination pattern. Add suffix -SCL.

Bronze Faceplate: Satin finished, red brass faceplate. Add suffix -B.

Alternate Faceplate Color: Black or white. Add suffix -BLK or -WHT.

Ballasts: 277V ballast. Add suffix -277. Electronic ballast (flour.). Add suffix -EB.

Tamperproof Screws: Tamperproof allen head faceplate screws. Add suffix -TP.