

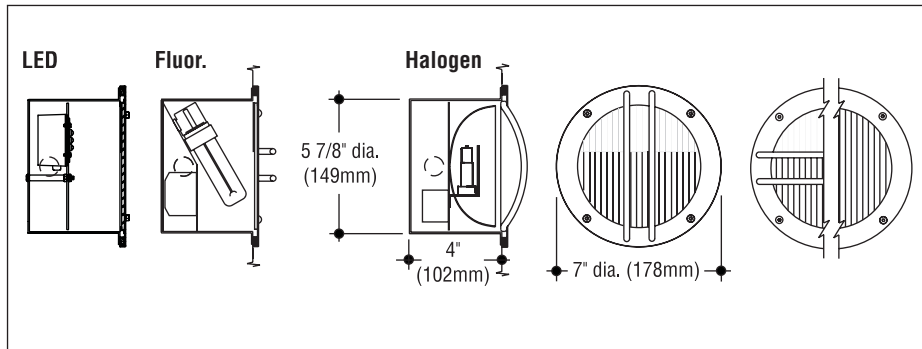
JOB NAME _____

Type _____

CATALOG NUMBER _____

Steplites

180 SERIES



Specifications

Construction

- Housing is spun 18 gauge stainless steel
- Trim is spun 18 gauge satin finished stainless steel, gasketed and retained by four stainless steel tamperproof button head screws
- Reflector is white aluminum
- Guard is 1/4" diameter stainless steel
- Spread lens is vertically ribbed tempered glass set in silicone sealant

Electrical

- Wired for one compact fluorescent or halogen lamp, as specified
- Ballast (fluorescent) or LED driver or 120V-11.5V electronic transformer (halogen) is integral in housing
- Fluorescent ballast is 120V (277V/347V optional)
- Two 1/2" conduit knockouts provided on sides of housing
- Halogen models suitable for wet locations in concrete pour/block wall construction only
- cETLus listed
- Fluorescent and LED models suitable for wet locations in any wall construction

Mounting

Housing has flange with holes for mounting.

Catalog Number Lamp	Flat spread lens/ Vertical Guard	Flat spread lens/ Horizontal Guard	Flat spread lens/ Without Guard	Convex spread lens
One 20W (G4 base) 12V halogen	<input type="checkbox"/> T 181V-20	<input type="checkbox"/> T 181H-20	<input type="checkbox"/> T 183-20	<input type="checkbox"/> T 184-20
One 50W (GY6.35 base) 12V halogen	<input type="checkbox"/> T 181V-50	<input type="checkbox"/> T 181H-50	<input type="checkbox"/> T 183-50	<input type="checkbox"/> T 184-50
One 5W (G23 base) compact fluorescent	<input type="checkbox"/> F 181V-5	<input type="checkbox"/> F 181H-5	<input type="checkbox"/> F 183-5	<input type="checkbox"/> F 184-5
One 9W (G23-2 base) "quad" compact fluorescent	<input type="checkbox"/> F 181V-9	<input type="checkbox"/> F 181H-9	<input type="checkbox"/> F 183-9	<input type="checkbox"/> F 184-9
One 13W (GX23-2 base) "quad" compact fluorescent	<input type="checkbox"/> F 181V-13	<input type="checkbox"/> F 181H-13	<input type="checkbox"/> F 183-13	<input type="checkbox"/> F 184-13
Nine warm white LEDs, 15 watts total	<input type="checkbox"/> L 181V	<input type="checkbox"/> L 181H	<input type="checkbox"/> L 183	<input type="checkbox"/> L 184

Options

Alternate Finishes: Satin brass with stainless steel guard **-SBR**, Polished stainless steel **-PSS**, Painted black with stainless steel guard **-BLK**

Ballasts (fluorescent only): 277V ballast. Add suffix **-277**. Electronic ballast. Add suffix **-EB**.

Clear Prismatic Glass Lens: Add suffix **-PG**.

Tempered Glass Diffuser: Flat, sandblasted. Add suffix **-TG**.

How to Specify

1. Select catalog number with desired features.
2. Add suffixes for options required to meet job conditions.



C. W. Cole & Company, Inc.
2560 N. Rosemead Boulevard
South El Monte, CA 91733-1593

Fax (626) 443-9253
Tel. (626) 443-2473
info@colelighting.com
www.colelighting.com