

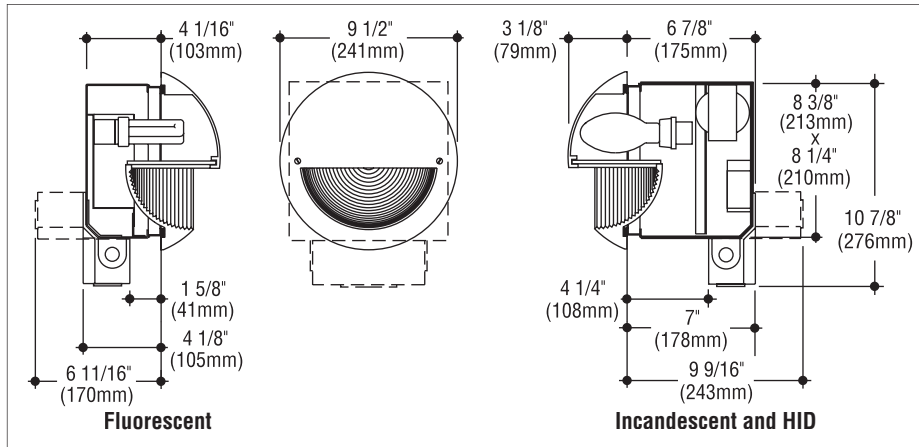
**JOB NAME** \_\_\_\_\_

**Type** \_\_\_\_\_

**CATALOG NUMBER** \_\_\_\_\_

**Steplites**

## 2100E/3300E SERIES DOME



### Specifications

#### Construction

- Fixture housing is constructed from 16 gauge die-formed steel finished with a white polyester coating
- Faceplate is cast aluminum with textured black coating, gasketed and retained by stainless steel screws
- Diffuser is clear tempered glass set in silicone sealant
- Reflector is constructed of die-formed semi-specular aluminum
- Junction box is cast aluminum with polyester coating; optional on incandescent and fluorescent models, standard on HID models
- cETLus listed, suitable for wet locations.
- Fluorescent F2113EW is suitable for any wall construction; all other models are for concrete pour/block wall construction only.

#### Electrical

- Fixture is wired for lamps of varying types and wattages. Ballasts are standard 120V (277V optional)
- Junction box allows 8 wire thru-wiring, four in and four out. Provided with two 1/2" tapped conduit entrances in the bottom and one 1/2" conduit entrance in each side.

#### Mounting

Housing has flanges with holes for mounting.

### Catalog Numbers

#### Lamp

100W A21 medium base incandescent	<input type="checkbox"/> <b>T 2100EW</b>
One 13W (CFQ13W/GX23-2) fluorescent, 32°F	<input type="checkbox"/> <b>F 2113EW</b>
Two 13W (CFQ13W/GX23-2) fluorescent, 32°F	<input type="checkbox"/> <b>F 2113EW-2</b>
35W high pressure sodium, medium base	<input type="checkbox"/> <b>HPS 3335E</b>
50W high pressure sodium, medium base	<input type="checkbox"/> <b>HPS 3350E</b>
50W metal halide, medium base	<input type="checkbox"/> <b>HMH 3350E</b>

#### Options

**Bronze Faceplate:** Satin finished, red brass faceplate. Add suffix  **-B**.

#### Ballasts (HID & fluorescent only):

277V ballast. Add suffix  **-277**.

Electronic HID: Add suffix  **-EB**.

**Junction Box:** Bottom or back mounted junction box as required for feed-thru. Standard on HID models. Add suffix  **-J**.

**Alternate Faceplate Color:** Aluminum or white. Add suffix  **-ALM** or  **-WHT**.

**Tamperproof Screws:** Tamperproof allen head faceplate screws. Add suffix  **-TP**.

#### How to Specify

1. Select catalog number with desired features.
2. Add suffixes for options required to meet job conditions.



**C. W. Cole & Company, Inc.**  
**2560 N. Rosemead Boulevard**  
**South El Monte, CA 91733-1593**

**Fax (626) 443-9253**  
**Tel. (626) 443-2473**  
**info@colelighting.com**  
**www.colelighting.com**