

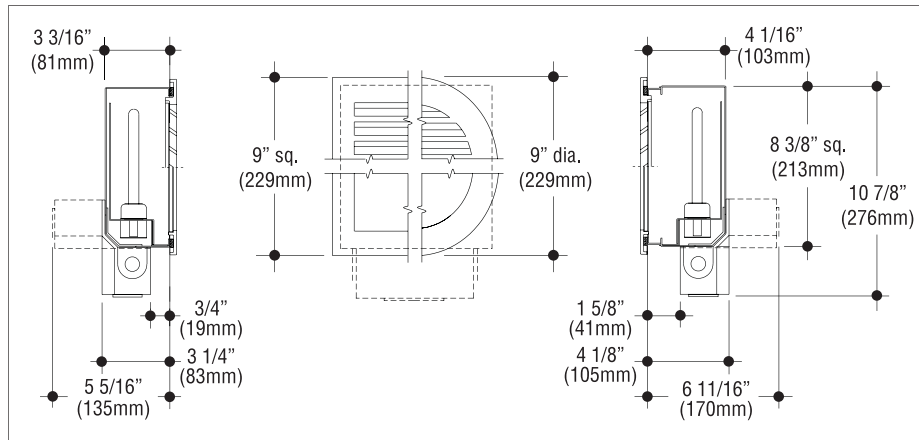
JOB NAME _____

Type _____

CATALOG NUMBER _____

Steplites

2120 SERIES



Specifications

Construction

- Fixture housing is constructed from die-formed 16 gauge steel finished with a white polyester coating
- Faceplate is cast aluminum with metallic aluminum powder coating, gasketed and retained by stainless steel screws
- Diffuser (omitted in non-weatherproof louver faceplate models) is frosted tempered glass, set in silicone sealant in weatherproof models
- Reflector is constructed of die-formed semi-specular aluminum
- Optional junction box is cast aluminum with polyester coating
- cETLus listed, suitable for wet locations when specified, in any wall construction.

Electrical

- Fixture is wired for two 7 or 9 watt compact fluorescent lamps or two 13 watt "quad" compact fluorescent lamps. Ballasts are standard 120V (277V optional), low-ambient
- Optional junction box allows 8 wire thru-wiring, four in and four out. Provided with two 1/2" tapped conduit entrances in the bottom and one 1/2" conduit entrance in each side.

Mounting

Housing has flanges with holes for mounting.

Catalog Numbers Lamps	Faceplate			
	9" dia./Louver	9" dia./Glass	9" sq./Louver	9" sq./Glass
Two 7W (G23 base) compact fluorescent	<input type="checkbox"/> F 2127R	<input type="checkbox"/> F 2127RG	<input type="checkbox"/> F 2127S	<input type="checkbox"/> F 2127SG
Two 13W (GX23-2 base) "quad" compact fluor.	<input type="checkbox"/> F 2113R	<input type="checkbox"/> F 2113RG	<input type="checkbox"/> F 2113S	<input type="checkbox"/> F 2113SG
One 18W (G24Q-2 base) "quad" compact fluor.	<input type="checkbox"/> F 2118R	<input type="checkbox"/> F 2118RG	<input type="checkbox"/> F 2118S	<input type="checkbox"/> F 2118SG

Options

Junction Box: Bottom or back mounted junction box as required for feed-thru.

Add suffix -J.

Weatherproof: For exterior applications. Add suffix -W.

Bronze Faceplate: Satin finished, red brass faceplate. Add suffix -B.

Tamperproof Screws: Tamperproof allen head faceplate screws. Add suffix -TP.

Ballasts: 277V ballast. Add suffix -277.

Electronic ballast: Add suffix -EB.

Alternate Faceplate Color: Black or white.

Add suffix -BLK or -WHT.

How to Specify

1. Select catalog number with desired features.
2. Add suffixes for options required to meet job conditions.



C. W. Cole & Company, Inc.
2560 N. Rosemead Boulevard
South El Monte, CA 91733-1593

Fax (626) 443-9253

Tel. (626) 443-2473

info@colelighting.com

www.colelighting.com