

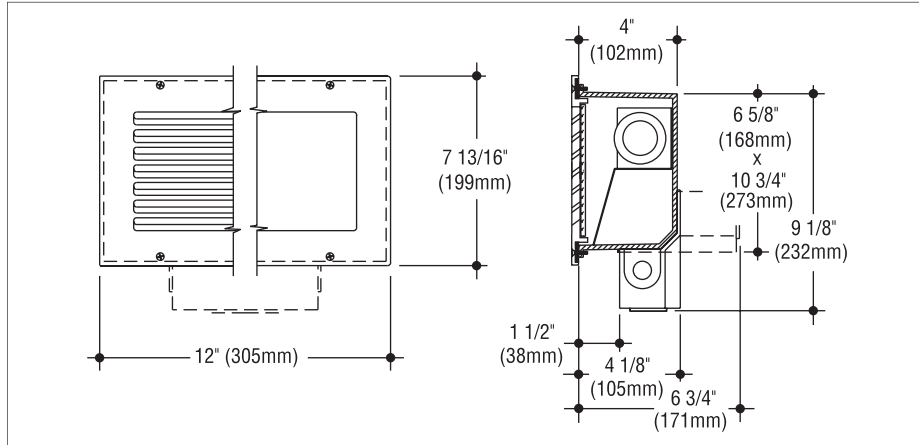
JOB NAME _____

Type _____

CATALOG NUMBER _____

Steplites

2153/3100 SERIES



Specifications

Construction

- Fixture housing is constructed from cast aluminum finished with a white polyester coating
- Faceplate is cast aluminum with metallic aluminum powder coating, gasketed and retained by stainless steel screws
- Diffuser (omitted in non-weatherproof louver faceplate models) is frosted tempered glass, set in silicone sealant in weatherproof models
- Reflector is constructed of die-formed semi-specular aluminum
- Junction box is cast aluminum with polyester coating; optional on incandescent and fluorescent models, standard on HID models
- cETLus listed, suitable for wet locations.
- F2153 is suitable for any wall construction; all other models are for concrete pour/block wall construction only.

Electrical

- Fixture is wired for lamps of varying types and wattages. Ballasts are standard 120V (277V optional)
- Junction box allows 8 wire thru-wiring, four in and four out. Provided with two 1/2" tapped conduit entrances in the bottom and one 1/2" conduit entrance in each side.

Mounting

Housing has flanges with holes for mounting.

How to Specify

1. Select catalog number with desired features.
2. Add suffixes for options required to meet job conditions.



C. W. Cole & Company, Inc.
2560 N. Rosemead Boulevard
South El Monte, CA 91733-1593

Fax (626) 443-9253
Tel. (626) 443-2473
info@colelighting.com
www.colelighting.com

Catalog Numbers	Faceplate	
	Lamps	Louver
100W A21 medium base incandescent	<input type="checkbox"/> T 2153	<input type="checkbox"/> T 2153G
26W (CFQ26W/G24d) fluorescent, 32°F	<input type="checkbox"/> F 2153-26	<input type="checkbox"/> F 2153G-26
28W (CFQ27W/GX32d) fluorescent, -22°F	<input type="checkbox"/> F 2153-28	<input type="checkbox"/> F 2153G-28
35W high pressure sodium, medium base	<input type="checkbox"/> HPS 3135	<input type="checkbox"/> HPS 3135G
50W high pressure sodium, medium base	<input type="checkbox"/> HPS 3150	<input type="checkbox"/> HPS 3150G
50W metal halide, medium base	<input type="checkbox"/> HMH 3150	<input type="checkbox"/> HMH 3150G

Options

- Ballasts:** 277V ballast. Add suffix **-277**.
- Electronic ballast (26W fluor.). Add suffix **-EB**.
- Weatherproof:** For exterior applications of incandescent and fluorescent models; standard for HID models. Add suffix **-W**.
- Bronze Faceplate:** Satin finished, red brass faceplate. Add suffix **-B**.
- Tamperproof Screws:** Tamperproof allen head faceplate screws. Add suffix **-TP**.

- Alternate Faceplate Color:** Black or white. Add suffix **-BLK** or **-WHT**.
- Junction Box:** Bottom or back mounted junction box as required for feed-thru. Standard on HID models. Add suffix **-J**.