

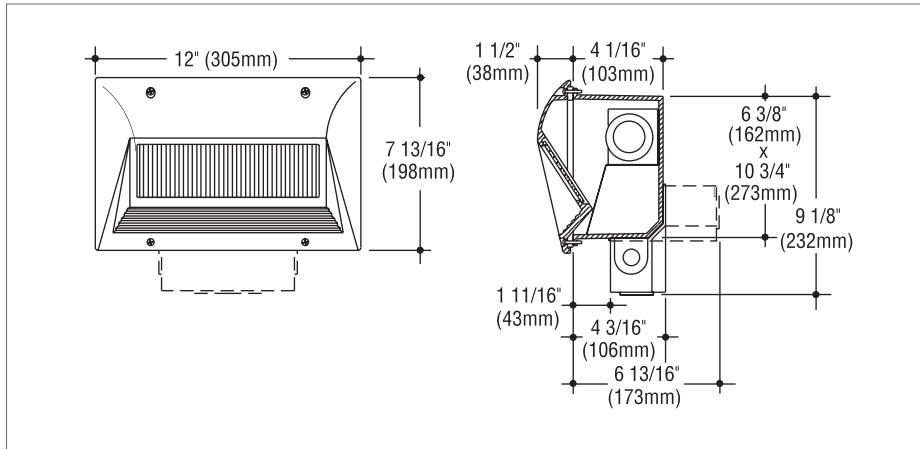
JOB NAME _____

Type _____

CATALOG NUMBER _____

Steplites

2153D/3100D SERIES DIRECTIONAL



Specifications

Construction

- Fixture housing is constructed from cast aluminum finished with a white polyester coating
- Faceplate is cast aluminum with metallic aluminum powder coating, gasketed and retained by stainless steel screws
- Diffuser is ribbed tempered glass set in silicone sealant
- Reflector is constructed of die-formed semi-specular aluminum
- Junction box is cast aluminum with polyester coating; optional on fluorescent models, standard on HID models
- cETLus listed, suitable for wet locations.
- F2153D is suitable for any wall construction; all other models are for concrete pour/block wall construction only.

Electrical

- Fixture is wired for lamps of varying types and wattages. Ballasts are standard 120V (277V optional)
- Junction box allows 8 wire thru-wiring, four in and four out. Provided with two 1/2" tapped conduit entrances in the bottom and one 1/2" conduit entrance in each side.

Mounting

Housing has flanges with holes for mounting.

Catalog Numbers

Lamp

100W A21 medium base incandescent	<input type="checkbox"/> T 2153DW
26W (CFQ26W/G24d) fluorescent, 32°F	<input type="checkbox"/> F 2153DW-26
28W (CFQ27W/GX32d) fluorescent, -22°F	<input type="checkbox"/> F 2153DW-28
50W mercury vapor, medium base	<input type="checkbox"/> HMV 3150D
35W high pressure sodium, medium base	<input type="checkbox"/> HPS 3135D
50W high pressure sodium, medium base	<input type="checkbox"/> HPS 3150D
50W metal halide, medium base	<input type="checkbox"/> HMH 3150D

Options

Junction Box: Bottom or back mounted junction box as required for feed-thru. Standard on HID models. Add suffix -J.

Bronze Faceplate: Satin finished, red brass faceplate. Add suffix -B.

Tamperproof Screws: Tamperproof allen head faceplate screws. Add suffix -TP.

Ballasts: 277V ballast. Add suffix -277.

Electronic ballast (26W fluor.). Add suffix -EB.

Black Faceplate Color: Add suffix -BLK.

How to Specify

1. Select catalog number with desired features.
2. Add suffixes for options required to meet job conditions.



C. W. Cole & Company, Inc.
 2560 N. Rosemead Boulevard
 South El Monte, CA 91733-1593

Fax (626) 443-9253
Tel. (626) 443-2473
info@colelighting.com
www.colelighting.com