

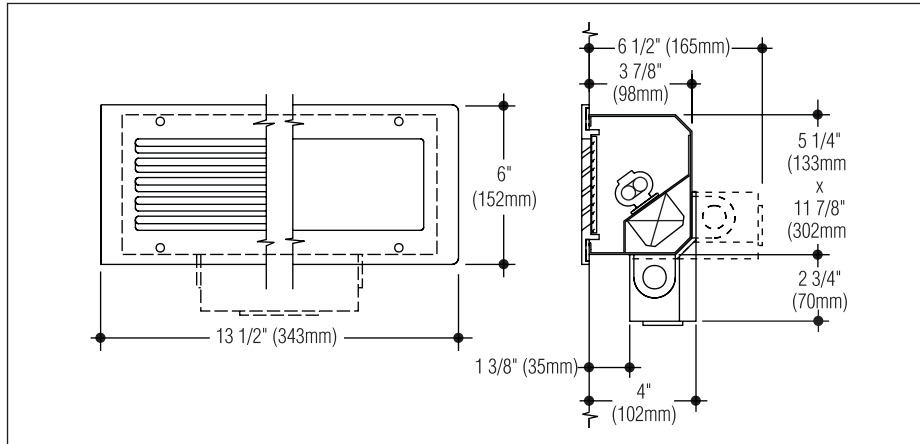
JOB NAME _____

Type _____

CATALOG NUMBER _____

Steplites

2156 SERIES



Specifications

Construction

- Fixture housing is constructed from die-formed 16 gauge steel finished with a white polyester coating
- Faceplate is cast aluminum with metallic aluminum polyester coating, gas-keted and retained by stainless steel screws
- Diffuser is frosted tempered glass set in silicone sealant
- Reflector is constructed of die-formed semi-specular aluminum
- Optional junction box is cast aluminum with polyester coating
- cETLus listed, suitable for wet locations
- Incandescent models for concrete pour/block wall construction only
- Fluorescent models for any wall construction

Electrical

- Fixture is wired for one 13W, two 13W compact fluorescent (PL, Biax, etc.) lamps, or two 40W A19 incandescent lamps. Ballasts are standard 120V (277V, 347V optional), low-ambient
- Pivoting fluorescent sockets ease relamping
- Optional junction box allows 8 wire thru-wiring, four in and four out. Provided with one 1/2" conduit entrance in each side.

Mounting

Housing has flange with holes for mounting.

Catalog Numbers	Recessed Fixtures			Surface Fixtures	
	Faceplate			Faceplate	
Lamp	Louver/Hor.	Louver/Vert.	Glass	Louver/Hor.	Glass
Two 40W A19 medium base incandescent	<input type="checkbox"/> T 2156	<input type="checkbox"/> T 2156V	<input type="checkbox"/> T 2156G	<input type="checkbox"/> ST 2156	<input type="checkbox"/> ST 2156G
One 13W (CFT13W/GX23) compact fluor.	<input type="checkbox"/> F 2156	<input type="checkbox"/> F 2156V	<input type="checkbox"/> F 2156G	<input type="checkbox"/> SF 2156	<input type="checkbox"/> SF 2156G
Two 13W (CFT13W/GX23) compact fluor.	<input type="checkbox"/> F 2156-2	<input type="checkbox"/> F 2156V-2	<input type="checkbox"/> F 2156G-2	<input type="checkbox"/> SF 2156-2	<input type="checkbox"/> SF 2156G-2

* Electronic ballast requires CFT13W/2GX7

How to Specify

1. Select catalog number with desired features.
2. Add suffixes for options required to meet job conditions.

Options

Junction Box: Bottom or back mounted junction box as required for feed-thru. Add suffix -J. Not for surface housing.

Weatherproof: For exterior applications. Add suffix -W.

Tamperproof Screws: Tamperproof allen head faceplate screws. Add suffix -TP.

Ballasts: 277V or 347V ballast. Add suffix -277 or -347. Electronic ballast. Add suffix -EB.

Bronze Faceplate: Satin finished, red brass faceplate. Add suffix -B.

Emergency Battery: Provides up to 90 minutes operation of two 13W lamp. Not available 347V. Add suffix -EM.

Alternate Faceplate Color: Black or white. Add suffix -BLK or -WHT.



C. W. Cole & Company, Inc.
 2560 N. Rosemead Boulevard
 South El Monte, CA 91733-1593

Fax (626) 443-9253
Tel. (626) 443-2473
 info@colelighting.com
 www.colelighting.com