

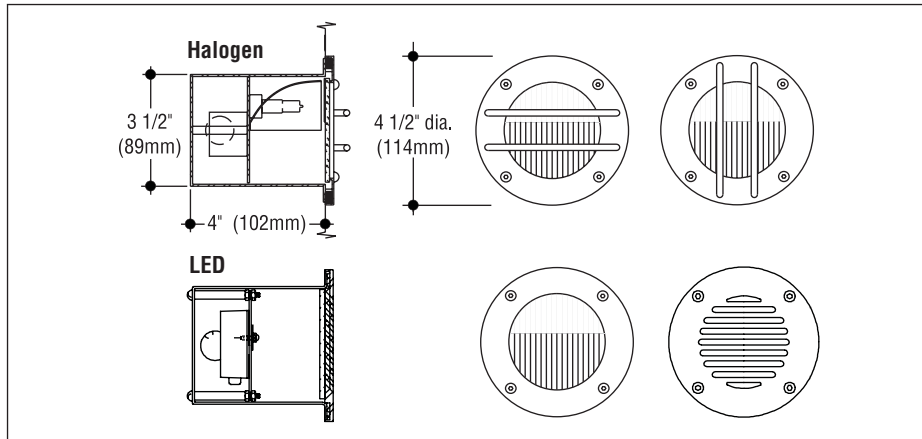
JOB NAME _____

Type _____

CATALOG NUMBER _____

Steplites

280 SERIES



Specifications

Construction

- Housing is spun 18 gauge stainless steel
- Trim is spun 18 gauge satin finished stainless steel, gasketed and retained by four stainless steel tamperproof button head screws
- Reflector is white aluminum
- Guard is 3/16" diameter stainless steel
- Spread lens is vertically ribbed tempered glass set in silicone sealant

Electrical

- Wired for warm white LED integral driver or one halogen lamp
- 120V-11.5V electronic transformer or driver is integral in housing
- Two 1/2" conduit knockouts provided on sides of housing provide thru-wire capability: 3 wires in, 3 wires out
- Suitable for wet locations in concrete pour/block and non-IC wall construction only
- Non-IC models require thermal protector
- cETLus listed

Mounting

Housing has flange with holes for mounting.

Catalog Number

Lamp

One 20W (G4 base) 12V halogen
Three warm white LEDs, 5 watts total

Vertical Guard

T 285V-20
 L 285V

Horizontal Guard

T 285H-20
 L 285H

Without Guard

T 286-20
 L 286

Louver

T 287-20
 L 287

Options

Alternate Finishes: Satin brass with stainless steel guard -SBR, Polished stainless steel -PSS, Painted black with stainless steel guard -BLK

Clear Prismatic Glass Lens: Add suffix -PG.

Tempered Glass Diffuser: Flat, sandblasted. Add suffix -TG.

How to Specify

1. Select catalog number with desired features.
2. Add suffixes for options required to meet job conditions.



C. W. Cole & Company, Inc.
2560 N. Rosemead Boulevard
South El Monte, CA 91733-1593

Fax (626) 443-9253
Tel. (626) 443-2473
info@colelighting.com
www.colelighting.com