

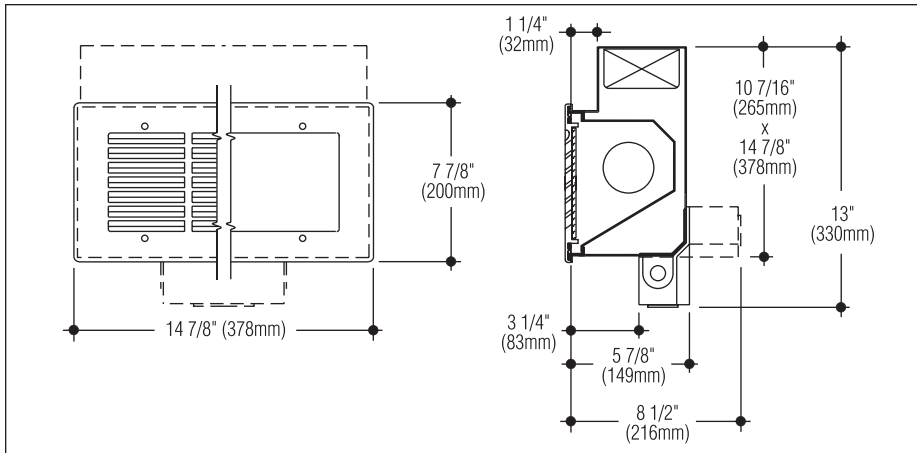
JOB NAME _____

Type _____

CATALOG NUMBER _____

Steplites

3500 SERIES



Specifications

Construction

- Fixture housing is constructed from die-formed 16 gauge steel finished with a white polyester coating
- Faceplate is cast aluminum with metallic aluminum powder coating, gasketed and retained by stainless steel screws
- Diffuser is frosted tempered glass set in silicone sealant
- Reflector is constructed of white die-formed aluminum
- Standard junction box is cast aluminum with polyester coating
- cETLus listed, suitable for wet locations, in concrete pour/block wall construction.

Electrical

- Fixture is wired for one medium base high pressure sodium or metal halide lamp. Ballasts are standard 120V (277V optional)
- Junction box allows 8 wire thru-wiring, four in and four out. Provided with two 1/2" tapped conduit entrances in the bottom and one 1/2" conduit entrance in each side.

Mounting

Housing has flanges with holes for mounting to concrete forms or masonry materials.

Catalog Numbers	Faceplate	
	Louwer	Glass
70W high pressure sodium, medium base	<input type="checkbox"/> HPS 3570	<input type="checkbox"/> HPS 3570G
70W metal halide, medium base	<input type="checkbox"/> HMH 3570	<input type="checkbox"/> HMH 3570G

Options

Bronze Faceplate: Satin finished, red brass faceplate. Add suffix -B.

Tamperproof Screws: Tamperproof allen head faceplate screws. Add suffix -TP.

Ballasts: 277V ballast. Add suffix -277.
Electronic ballast. Add suffix -EB.

Alternate Faceplate Color: Black or white. Add suffix -BLK or -WHT.

How to Specify

1. Select catalog number with desired features.
2. Add suffixes for options required to meet job conditions.



C. W. Cole & Company, Inc.
2560 N. Rosemead Boulevard
South El Monte, CA 91733-1593

Fax (626) 443-9253
Tel. (626) 443-2473
info@colelighting.com
www.colelighting.com