

**Custom Designs  
Sconces**

**D1186**

*ideas collection*



Pioneer Place  
Portland, OR

**Description**

The D1186 is an unique accent recessed wall fixture which may be used alone or in clusters. The cast etched glass ring glows softly with the incandescent globe lamp in the center providing illumination.

**Construction**

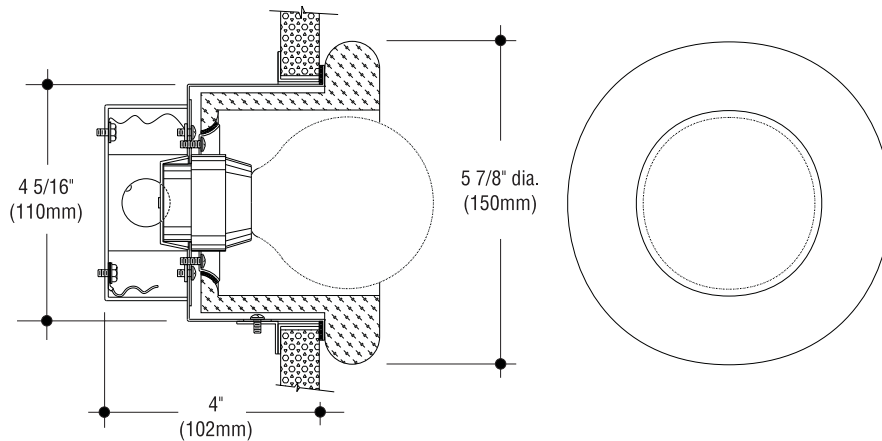
- Housing is spun steel with a white polyester coating
- Imported etched glass ring is available in amethyst, pale blue, and white
- Special glass colors are available for quantities over 50

**Electrical**

- Fixture is wired for one 25W or 40W G25 incandescent lamp
- Junction box at the back is accessible from the front and is suitable for feed-through

**Mounting**

A spun steel plaster ring is provided for mounting.



**Catalog Number**

25W or 40W G25 medium base incandescent

D1186

**Options**

**Color of Glass:** Amethyst: Add suffix **-AME**;  
Light Blue: Add suffix **-BLU**; White, add  
suffix **-WHT**.

**To Specify:**

1. Select catalog number.
2. Add suffix for color of glass.

The Cole *ideas collection* presents designs which have been previously furnished as custom fixtures. They are not standard, stock models, but can be manufactured for other jobs as shown or with required modifications.



C. W. Cole & Company, Inc.  
2560 N. Rosemead Boulevard  
South El Monte, CA 91733-1593

Fax (626) 443-9253  
Tel. (626) 443-2473  
info@colelighting.com  
www.colelighting.com