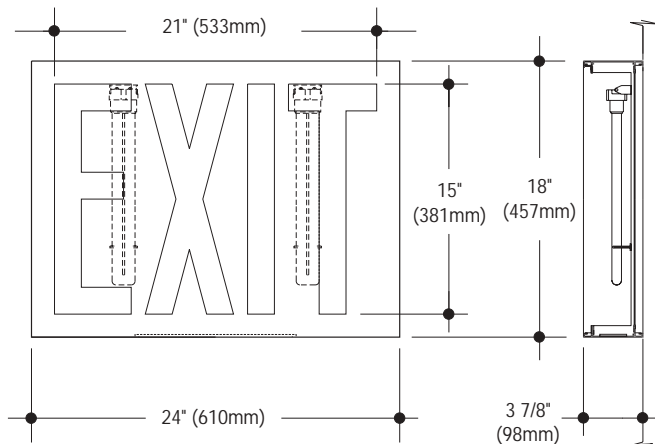


**Signs  
Exits**

**G1999 JUMBO Exit**

*ideas collection*



**Description**

The G1999 is an oversize exit for use in convention centers, fairgrounds, parking structures, and other areas where the points of egress must be identified from a great distance.

**Construction**

- Fixture body is extruded aluminum with a die-formed aluminum face
- Satin finish on face with clear anodize; housing has black polyester coating
- Diffuser is .125" green or red acrylic
- Clear acrylic prismatic downlight lens
- ETL/cETL listed
- Suitable for wet locations.

**Electrical**

- Fixture is wired for two 24 watt compact fluorescent (FT24W/2G11) lamps
- Ballast is standard 120V (277V optional)
- Provided with 7/8" diameter hole centered in back for mounting over junction box

**Mounting**

Fixture has four 3/16" mounting holes in back for direct mounting to wall

The Cole *ideas collection* presents designs which have been previously furnished as custom fixtures. They are not standard, stock models, but can be manufactured for other jobs as shown or with required modifications.

**Catalog Number**

**Lamp**

Two 24W (2G11 base) compact fluorescent

**G1999-GRN or RED**

**Options**

**Ballast:** 277V ballast. Add suffix **-277**.

**Alternate Finishes:**

Medium bronze housing and face.

Add suffix **-MBZ**.

Other color. Add suffix **-SP/ (color)**.

**Tamperproof Screws:** Tamperproof allen head faceplate screws. Add suffix **-TP**.

**How to Specify**

Select catalog number with letter color and add suffix(s) for desired options.



**C. W. Cole & Company, Inc.**  
2560 N. Rosemead Boulevard  
South El Monte, CA 91733-1593

Fax (626) 443-9253  
Tel. (626) 443-2473  
info@colelighting.com  
www.colelighting.com