

Walkway Lighting Steplites

L389R

Description

Recessed fluorescent Steplite with custom opal acrylic trimless diffuser in lieu of standard cast aluminum louver faceplate. Housing is standard 153-Series fixture. This is an ideal example of utilizing a standard fixture to easily create a custom design. Compact fluorescent lamps provide warm, even illumination with efficiency and long life.

Construction

- Fixture housing is constructed of die-formed 16 gauge steel finished with white polyester powder coating
- Diffuser is .250" opal acrylic retained by 6-32 socket cap screw
- Neoprene gasket seals fixture for wet location
- Reflector is constructed of die-formed semi-specular aluminum
- ETL listed, suitable for wet locations, in any wall construction.

Electrical

- Fixture is wired for one compact fluorescent (PL, Biax, etc.) lamp, available in two wattage choices
- Ballast is standard 120V (277V optional), low-ambient
- Integral junction box allows 8 wire thru-wiring, four in and four out. Provided with one 1/2" conduit entrance in each side.

Mounting

Housing has flange with holes for mounting.

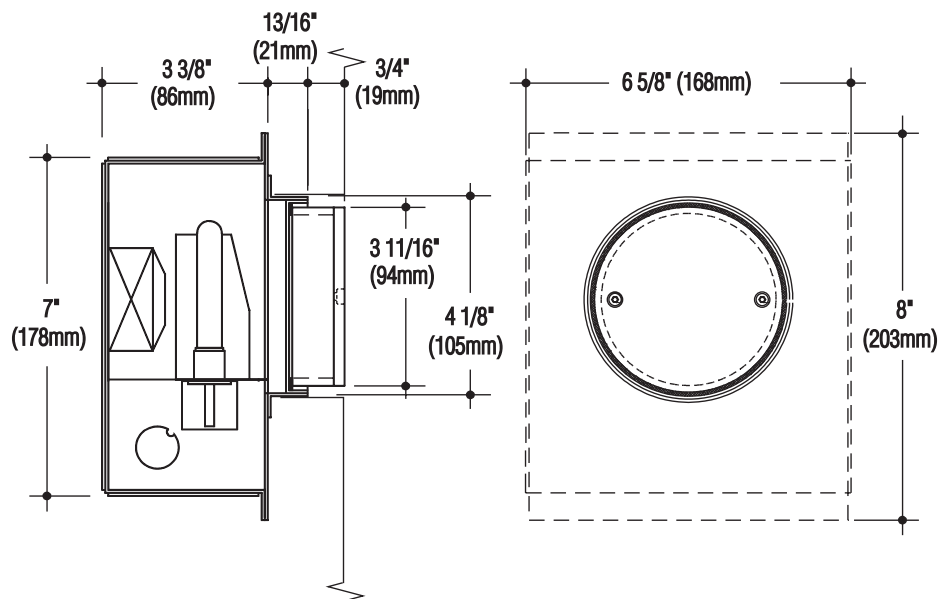
The Cole *ideas collection* presents designs which have been previously furnished as custom fixtures. They are not standard, stock models, but can be manufactured for other jobs as shown or with required modifications.

COLE
LIGHTING SINCE 1911

C. W. Cole & Company, Inc.
2560 N. Rosemead Boulevard
South El Monte, CA 91733-1593

Fax (626) 443-9253
Tel. (626) 443-2473
info@colelighting.com
www.colelighting.com

ideas collection



Catalog Number

Lamp

One 5W (G23 base) compact fluorescent	L389R-5
One 9W quad (G23-2 base) compact fluorescent	L389R-9

Options

Ballasts: 277V ballast. To specify, add suffix **-277**.
High power factor: To specify, add suffix **-HPF**.

How to Specify

1. Select catalog number with lamp desired.
2. Add suffixes for options required to meet job conditions.