

Steplites

Series	Incan.	Fluor.	HID	LED	Exterior	Interior	Feed-Thru	Other Options
153		•		•	•	•	•	Cast bronze front Tamperproof screws 277V electrical



A cast aluminum face-plate is standard with cast bronze as an option.



Wiring for a 5W fluorescent lamp is standard with this series.

153 SERIES

Description

The 153 Series of Steplites is a low profile fluorescent site fixture for low-level applications. The rugged construction, engineering excellence, and quality make these fixtures ideal for specification in most public areas.

Features

Louvers in the 153 Series are more widely spaced than most fixtures of this type, allowing for significantly greater forward projected illumination. Exceptional durability is provided by the thick cast aluminum louvered faceplate and the tempered glass diffuser. The 153 Series features an integral feed-thru junction box.

Applications

The 153 Series Steplites are suitable for concrete pour/block wall and stud wall mounting in indoor or outdoor installations. They are ideal in low walls and side mounting at stairs.

Custom

If your project demands a special fixture we would be pleased to discuss the production of modified standard fixtures or custom fixtures to suit your specific conditions. Modifications include special sizes and shapes, special finishes and materials such as stainless steel or cast bronze, and alternate light sources. For more information on our custom capabilities, please contact your local Cole representative.



C. W. Cole & Company, Inc.
2560 N. Rosemead Boulevard
South El Monte, CA 91733-1593

Fax (626) 443-9253
Tel. (626) 443-2473
info@colelighting.com
www.colelighting.com

Steplites

153 SERIES

Specifications

Construction

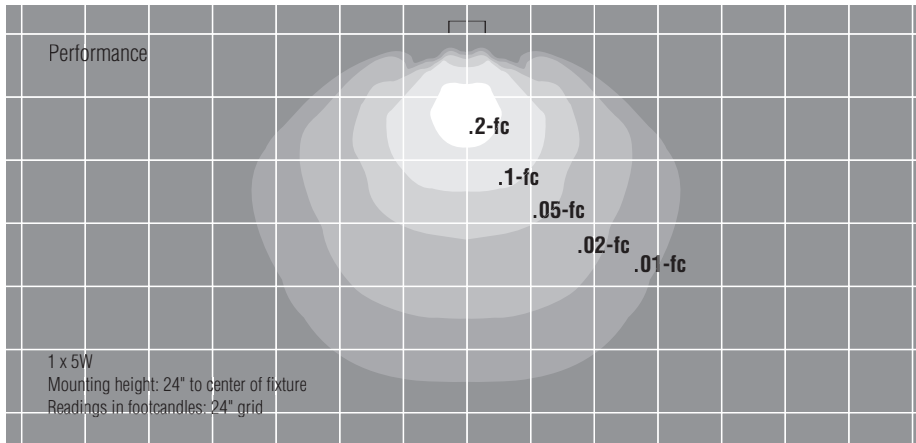
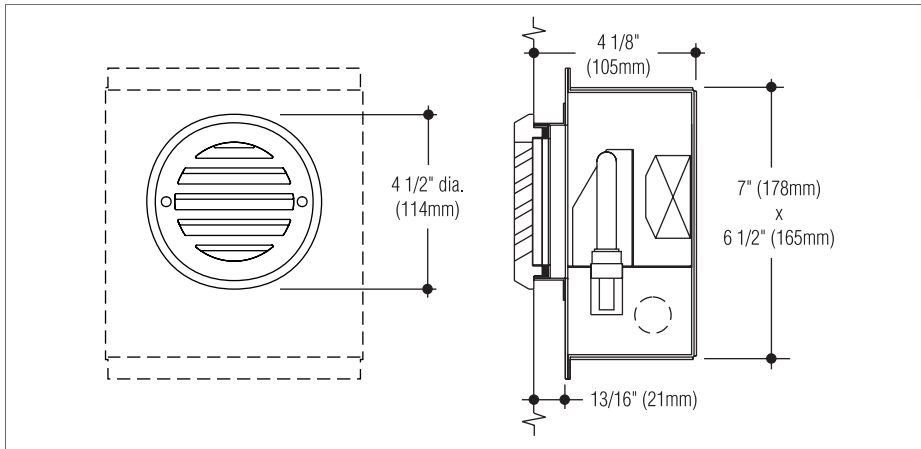
- Fixture housing is constructed from die-formed 16 gauge steel finished with a white polyester coating
- Faceplate is cast aluminum with metallic aluminum polyester coating, gas-ketted and retained by stainless steel screws
- Diffuser in weatherproof models is frosted tempered glass set in silicone sealant
- Reflector is constructed of die-formed semi-specular aluminum
- cETLus listed, suitable for wet locations when specified, in any wall construction.

Electrical

- Fixture is wired for one 5W compact fluorescent lamp
- Ballast is standard 120V (277V optional), low ambient
- Integral junction box allows 8 wire thru-wiring, four in and four out. Provided with one 1/2" conduit entrance in each side.

Mounting

Housing has flange with holes for mounting.



The isolux curves illustrated above show the footcandle distribution for a 153 Series fixture with a 5W fluorescent lamp mounted at a height of 2'-0". The conversion chart provides the light output figures for various lamp types at four mounting heights. The lamp height determines the scale of the grid, i.e., for a fixture mounted at 3'-0" the grid becomes 3'-0" x 3'-0". To calculate the footcandles for each iso curve use the conversion factors shown in the chart as multipliers of the footcandles indicated for each iso curve. IES format photometric files are available.

Isolux Footcandle Conversion Chart

Lamp Type	Lum. Mounting Height and Grid Scale				
	1'-0"	1'-6"	2'-0"	3'-0"	
5W compact fluor.	250	4.00	1.76	1.00	0.44

Catalog Number

Lamp

One 5W (G23 base) compact fluorescent
LED

F153

L153

Options

Weatherproof: For exterior applications.

Add suffix **-W**.

Tamperproof Screws: Tamperproof allen head faceplate screws. Add suffix **-TP**.

Ballasts: 277V ballast. Add suffix **-277**.

Electronic ballast. Add suffix **-EB**.

Bronze Faceplate: Satin finished, red brass faceplate. Add suffix **-B**.

Alternate Faceplate Color: Black or white.

Add suffix **-BLK** or **-WHT**.

QB 3M L07

How to Specify

1. Select catalog number with desired features.
2. Add suffixes for options required to meet job conditions.



C. W. Cole & Company, Inc.
2560 N. Rosemead Boulevard
South El Monte, CA 91733-1593

Fax (626) 443-9253

Tel. (626) 443-2473

info@colelighting.com

www.colelighting.com