

Steplites

| Series | Incan. | Fluor. | HID | LED | Exterior | Interior | EM Battery | Other Options |
|----------------|--------|--------|-----|-----|----------|----------|------------|--|
| 2153D 3100D | • | • | • | | • | • | | Cast bronze front 277V electrical Tamperproof screws |

2153D/3100D SERIES DIRECTIONAL

Description

This cast aluminum faceplate provides an alternative appearance and performance for the 3100 Series Steplites for HID sources and to the 2153 Series for incandescent and fluorescent sources. The diffuser faces downward for maximum illumination to the walkway surface and minimum visibility to the passerby. The rugged construction, engineering excellence, and quality make these fixtures ideal for specification in most public areas.

Features

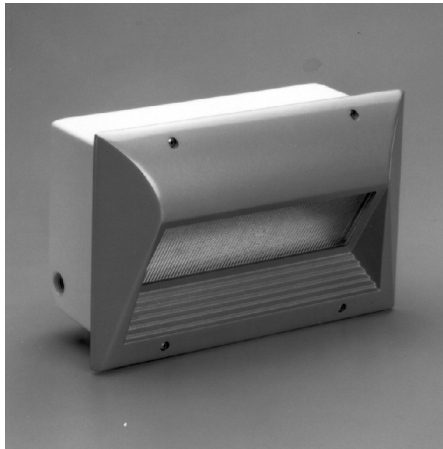
The lens in the faceplate is vertically ribbed to provide side spread of illumination and the internal reflector and lamp placement provide a downward throw of light. The angle of the lens minimizes the visibility of the lens and the brightness seen with it. The smooth, rounded faceplate projects outward slightly to shield the lens from physical damage. Cole Steplites feature a cast aluminum junction box which may be easily field mounted to either the back or bottom of the housing to best suit installation conditions.

Applications

The 2153D/3100D Series Steplites are suitable for concrete pour/block wall mounting in outdoor installations. The fluorescent F2153D is also suitable for indoor installations. They are ideal in walls, ramps, and stairwells where high light levels are desirable.

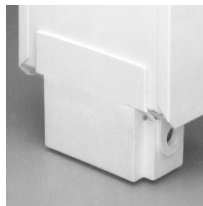
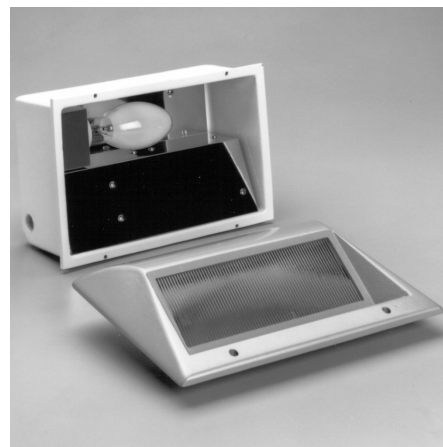
Custom

If your project demands a special fixture we would be pleased to discuss the production of custom fixtures to suit your specific conditions. For more information on our custom capabilities, please contact your local Cole representative.



The orientation of the lens directs the light outward with minimum visibility.

Incandescent, fluorescent and high intensity discharge (HID) lamps may be specified for this series.



The junction box on Cole Steplites may be field mounted to the back or bottom of the fixture.



C. W. Cole & Company, Inc.
2560 N. Rosemead Boulevard
South El Monte, CA 91733-1593

Fax (626) 443-9253
Tel. (626) 443-2473
info@colelighting.com
www.colelighting.com

Steplites

2153D/3100D SERIES DIRECTIONAL

Specifications

Construction

- Fixture housing is constructed from die-formed 16 gauge steel finished with a white polyester coating
- Faceplate is cast aluminum with metallic aluminum powder coating, gasketed and retained by stainless steel screws
- Diffuser is ribbed tempered glass set in silicone sealant
- Reflector is constructed of die-formed semi-specular aluminum
- Junction box is cast aluminum with polyester coating; optional on fluorescent models, standard on HID models
- cETLus listed, suitable for wet locations.
- F2153D is suitable for any wall construction; all other models are for concrete pour/block wall construction only.

Electrical

- Fixture is wired for lamps of varying types and wattages. Ballasts are standard 120V (277V/347V optional)
- Junction box allows 8 wire thru-wiring, four in and four out. Provided with two 1/2" tapped conduit entrances in the bottom and one 1/2" conduit entrance in each side.

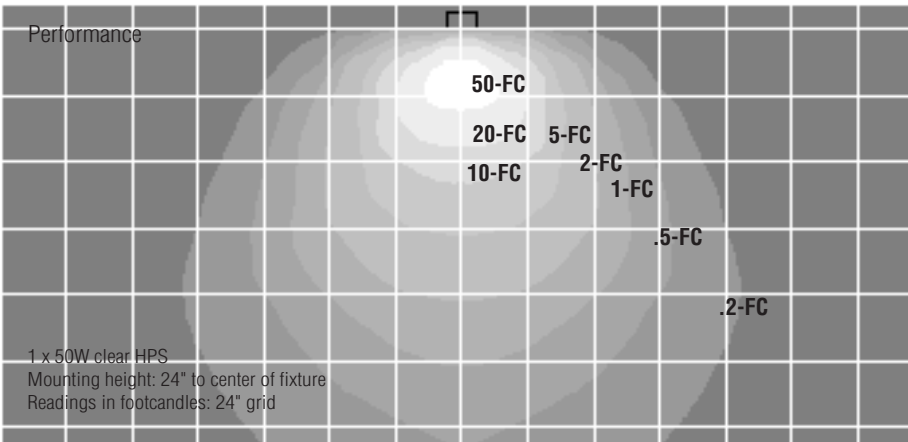
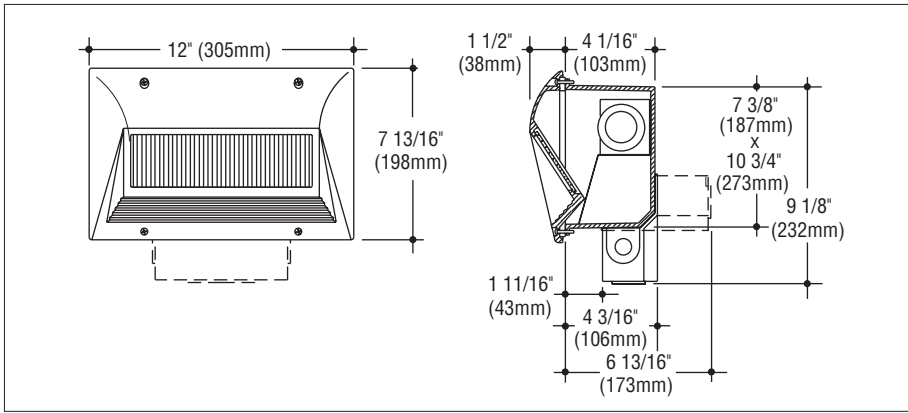
Mounting

Housing has flanges with holes for mounting.



C. W. Cole & Company, Inc.
2560 N. Rosemead Boulevard
South El Monte, CA 91733-1593

Fax (626) 443-9253
Tel. (626) 443-2473
info@colelighting.com
www.colelighting.com



The isolux curves illustrated above show the footcandle distribution for a 3100D Series fixture with a 50W clear HPS lamp mounted at a height of 2'-0". The conversion chart provides the light output figures for various lamp types at four mounting heights. The lamp height determines the scale of the grid, i.e., for a fixture mounted at 3'-0" the grid becomes 3'-0" x 3'-0". To calculate the footcandles for each iso curve use the conversion factors shown in the chart as multipliers of the footcandles indicated for each iso curve.

Isolux Footcandle Conversion Chart

| Lamp Type | Lum. | Mounting Height and Grid Scale | | | |
|---------------|------|--------------------------------|-------|-------|-------|
| | | 1'-0" | 1'-6" | 2'-0" | 3'-0" |
| 100W A21 inc. | 1690 | 1.70 | 0.75 | 0.42 | 0.18 |
| 26W fluor. | 1800 | 1.81 | 0.80 | 0.45 | 0.19 |
| 28W fluor. | 1600 | 1.61 | 0.71 | 0.40 | 0.17 |
| 35W clear HPS | 2250 | 2.25 | 1.00 | 0.56 | 0.25 |
| 50W clear HPS | 4000 | 4.00 | 1.78 | 1.00 | 0.44 |
| 50W clear MH | 3400 | 3.40 | 1.51 | 0.85 | 0.38 |

Catalog Numbers

Lamp

- 100W A21 medium base incandescent
- 26W (CFQ26W/G24d)* fluorescent, 32°F
- 35W high pressure sodium, medium base
- 50W high pressure sodium, medium base
- 50W metal halide, medium base
- * Electronic ballast requires CFQ26W/G24q-3

- T 2153DW
- F 2153DW-26
- HPS 3135D
- HPS 3150D
- HMH 3150D

Options

- Junction Box:** Bottom or back mounted junction box as required for feed-thru. Standard on HID models. Add suffix **-J**.
- Bronze Faceplate:** Satin finished, red brass faceplate. Add suffix **-B**.
- Tamperproof Screws:** Tamperproof allen head faceplate screws. Add suffix **-TP**.

- Ballasts:** 277V or 347V ballast. Add suffix **-277** or **-347**. Electronic ballast. (26W only)
- Add suffix **-EB**.
- Alternate Faceplate Color:** Black or white. Add suffix **-BLK**.
- How to Specify**

 1. Select catalog number with desired features.
 2. Add suffixes for options required to meet job conditions.