

## Steplites

Series	Incan.	Fluor.	HID	LED	Exterior	Interior	Feed-Thru	Other Options
2153 3100	•	•	•		• •	•	• •	Cast bronze front, Emergency battery, 277V electrical, Tamperproof screws



**2153/3100 Series Steplites are available with cast aluminum louver or glass faceplates.**



## 2153/3100 SERIES

### Description

The 2153/3100 Series of Steplites is a high performance site fixture for large areas. Its large aperture allows high light levels to the sides as well as in front of the fixture for many exterior locations. The rugged construction, engineering excellence, and quality make these fixtures ideal for specification in most public areas.

### Features

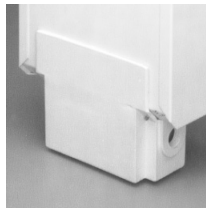
Louvers in the 2153/3100 Series are more widely spaced than most fixtures of this type, allowing for significantly greater forward projected illumination. Exceptional durability is provided by the thick cast aluminum faceplate and the tempered glass diffuser. Louvered models offer even greater protection to the diffuser while controlling the distribution of light. Cole Steplites feature a cast aluminum junction box which may be easily field mounted to either the back or bottom of the housing to best suit installation conditions.

### Applications

The 2153/3100 Series Steplites are suitable for concrete pour/block wall mounting in outdoor installations. Fluorescent 2153 Series fixtures are suitable for any wall construction. They are ideal in walls, ramps, and stairwells where high light levels are desirable.

### Custom

If your project demands a special fixture we would be pleased to discuss the production of custom fixtures to suit your specific conditions. For more information on our custom capabilities, please contact your local Cole representative.



**Incandescent, fluorescent and high intensity discharge (HID) lamps may be specified for this series.**

**The junction box on Cole Steplites may be field mounted to the back or bottom of the fixture.**



**C. W. Cole & Company, Inc.  
2560 N. Rosemead Boulevard  
South El Monte, CA 91733-1593**

**Fax (626) 443-9253  
Tel. (626) 443-2473  
info@colelighting.com  
www.colelighting.com**

## Steplites

### 2153/3100 SERIES

#### Specifications

##### Construction

- Fixture housing is constructed from die-formed 16 gauge steel finished with a white polyester coating
- Faceplate is cast aluminum with metallic aluminum polyester coating, gasketed and retained by stainless steel screws
- Diffuser (omitted in non-weatherproof louver faceplate models) is frosted tempered glass, set in silicone sealant in weatherproof models
- Reflector is constructed of die-formed semi-specular aluminum
- Junction box is cast aluminum with polyester coating; optional on incandescent and fluorescent models, standard on HID models
- cETLus listed, suitable for wet locations (weatherproof models)
- F2153 is suitable for any wall construction; all other models are for concrete pour/block wall construction only.

##### Electrical

- Fixture is wired for lamps of varying types and wattages. Fluorescent ballasts are standard 120V (277V optional) HID electronic ballasts 120V-277V standard
- Junction box allows 8 wire thru-wiring, four in and four out. Provided with two 1/2" tapped conduit entrances in the bottom and one 1/2" conduit entrance in each side.

##### Mounting

Housing has flanges with holes for mounting.

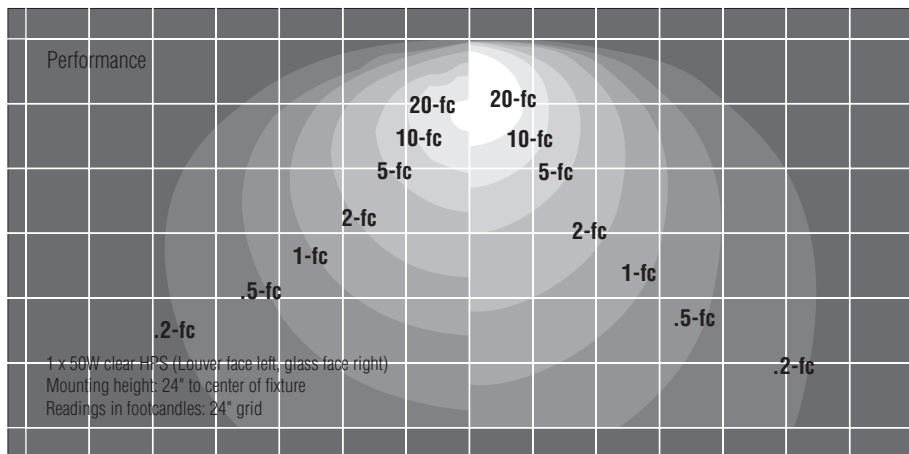
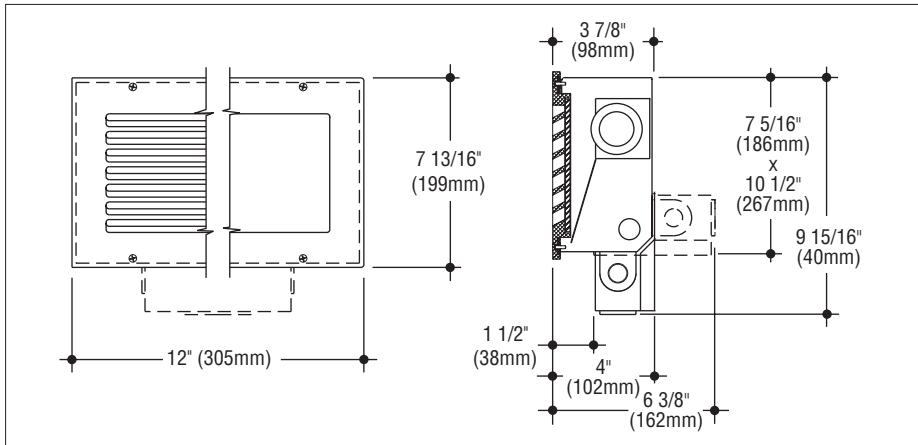
##### How to Specify

1. Select catalog number with desired features.
2. Add suffixes for options required to meet job conditions.



**C. W. Cole & Company, Inc.**  
 2560 N. Rosemead Boulevard  
 South El Monte, CA 91733-1593

**Fax** (626) 443-9253  
**Tel.** (626) 443-2473  
**info@colelighting.com**  
**www.colelighting.com**



The isolux curves illustrated above show the footcandle distribution for a 3100 Series fixture with a 50W clear HPS lamp mounted at a height of 2'-0". The conversion chart provides the light output figures for various lamp types at four mounting heights. The lamp height determines the scale of the grid, i.e., for a fixture mounted at 3'-0" the grid becomes 3'-0" x 3'-0". To calculate the footcandles for each iso curve use the conversion factors shown in the chart as multipliers of the footcandles indicated for each iso curve. IES format photometric files are available.

#### Isolux Footcandle Conversion Chart

Lamp Type	Lum.	Mounting Height and Grid Scale			
		1'-0"	1'-6"	2'-0"	3'-0"
100W A21 inc.	1690	1.70	0.75	0.42	0.18
26W fluor.	1800	1.81	0.80	0.45	0.19
35W clear HPS	2250	2.25	1.00	0.56	0.25
50W clear HPS	4000	4.00	1.78	1.00	0.44
50W clear MH	3400	3.40	1.51	0.85	0.38

Catalog Numbers Lamps	Faceplate	
	Louver	Glass
100W A21 medium base incandescent	<b>T 2153</b>	<b>T 2153G</b>
26W (CFQ26W/G24d) fluorescent, 32°F	<b>F 2153-26</b>	<b>F 2153G-26</b>
35W high pressure sodium, medium base	<b>HPS 3135</b>	<b>HPS 3135G</b>
50W high pressure sodium, medium base	<b>HPS 3150</b>	<b>HPS 3150G</b>
50W metal halide, medium base	<b>HMH 3150</b>	<b>HMH 3150G</b>

\* Electronic ballast requires CFQ26W/GX24d3

#### Options

**Ballasts:** 277V ballast. Add suffix **-277**.  
 Electronic ballast (Standard on HID models)  
 Add suffix **-EB**.

**Bronze Faceplate:** Satin finished, red brass faceplate. Add suffix **-B**.

**Tamperproof Screws:** Tamperproof allen head faceplate screws. Add suffix **-TP**.

**Weatherproof:** For exterior applications.  
 Add suffix **-W**.

**Alternate Faceplate Color:** Black or white.  
 Add suffix **-BLK** or **-WHT**.

**Junction Box:** Bottom or back mounted junction box as required for feed-thru. Standard on HID models. Add suffix **-J**.

**Emergency Battery:** Provides up to 90 minutes operation. (Fluorescent only) Add suffix **-EM**.